

RALAPPAN AGI LEAD SHEET

REVISION ISSUED

NOTES


A
B
C
D
E
F
G
H

Drawing No.	Title	0	1	2	3	4	5	6	7	8	9	10	11	12
1227-02-D-0001	LEAD SHEET – DRAWING REGISTER	02/10/20	24/03/21	11/08/21	19/06/23									
1227-02-DG-0001	SITE LAYOUT	02/10/20	24/03/21	29/05/23										
1227-02-DG-0002	FENCES & GATES DETAILS	02/10/20	24/03/21											
1227-02-DG-0011	CHROMATOGRAPH BUILDING	02/10/20	24/03/21	11/08/21										
1227-02-DG-0012	CONTROL & INSTRUMENTATION BUILDING	02/10/20	24/03/21	11/08/21										
1227-02-DG-0013	METERING BUILDING	02/10/20	24/03/21	11/08/21										
1227-02-DG-0014	BOILER UNIT	02/10/20	24/03/21	11/08/21										
1227-02-DG-0015	REGULATOR BUILDING	02/10/20	24/03/21	11/08/21										
1227-02-DG-0016	GENERATOR KIOSK	02/10/20	24/03/21	11/08/21										
1227-02-DG-0021	ELEVATION VIEW A – SOUTH ELEVATION	02/10/20	24/03/21	29/05/23										
1227-02-DG-0022	ELEVATION VIEW B – EAST ELEVATION	02/10/20	24/03/21	29/05/23										

ISSUE FOR PLANNING

Applicant
Shannon LNG Limited

REV.	DATE	REVISION	BY	CHKD.	APPR.
3	19/06/23	ISSUE FOR PLANNING	JD	VOH	BF
2	11/08/21	ISSUE FOR PLANNING	MAH	MC	BF
1	24/03/21	ISSUE FOR PLANNING	MAH	MC	BF
0	02/10/20	CONCEPTUAL ISSUE	MAH	MC	BF

Client

GAS NETWORK IRELAND
 P.O. BOX 51, Gasworks Road, Cork
 Rep of Ireland
 T: +353 21 4534000
 F: +353 21 4534001

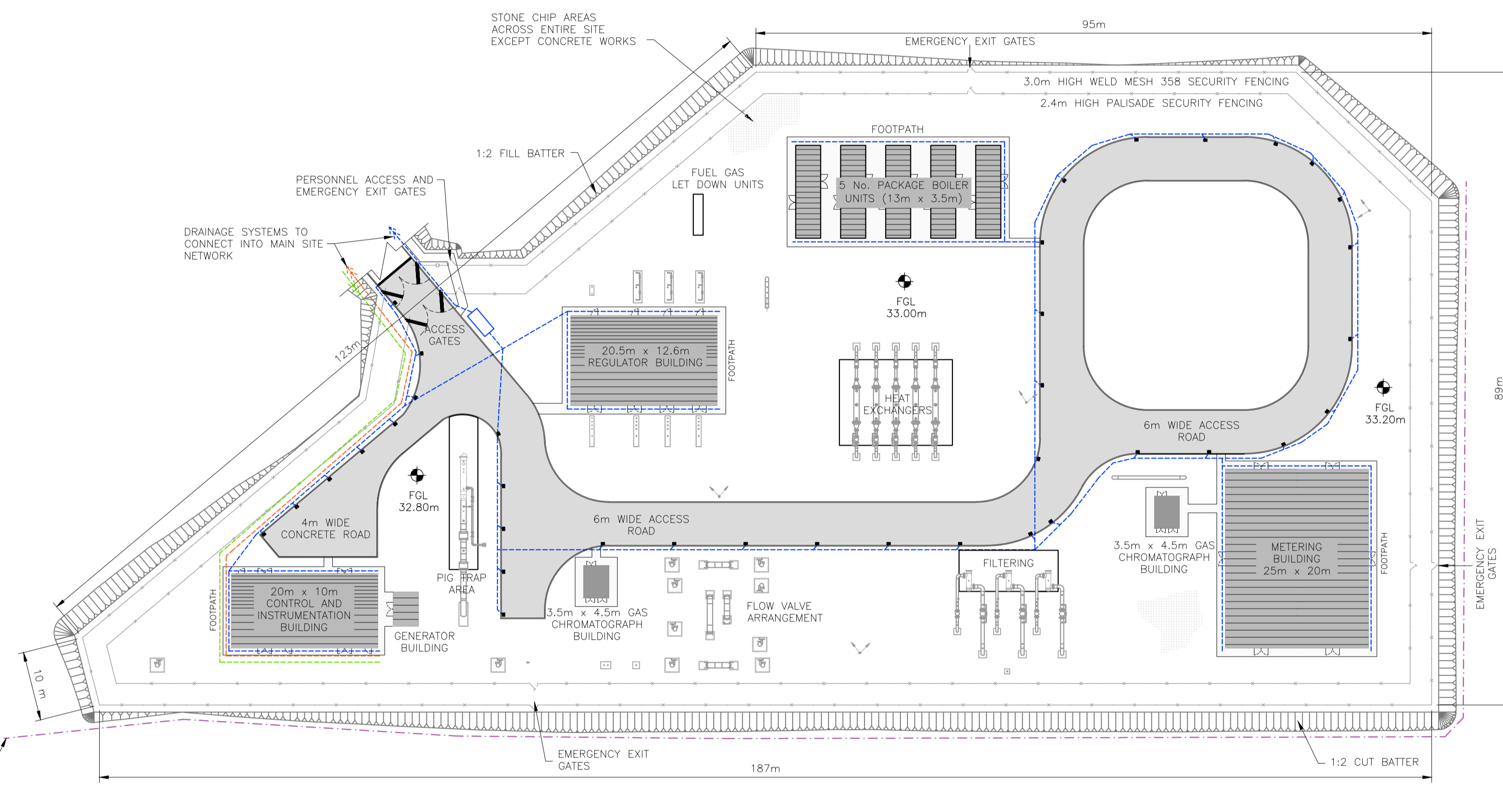
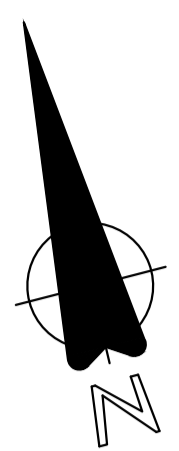
Consultant

Fingleton White
 Bridge Street Centre
 Portlaoise
 Co. Laois
 R32 W0CC
 Ireland
 T:(00353)(0)57 866 5400
 www.fingleton.ie

Project
SHANNON TECHNOLOGY AND ENERGY PARK (STEP)

Title
LEAD SHEET

Drawn J.DELANEY	Scale N.T.S/A3	Drawing Number 1227-02-D-0001	Rev. 3
Chkd. V.O'HARA	Date 19/06/2023		
Appr. B.FINGLETON	Status ISSUED		



NOTES

- LEGEND
- DENOTES U/G SURFACE WATER DRAIN ---
 - DENOTES OPEN CUT-OFF DRAIN ---
 - DENOTES U/G FOUL WATER DRAIN ---
 - DENOTES U/G POTABLE WATER MAIN ---
 - DENOTES U/G KLRGESTER SEPERATOR OR SIMILAR
 - DENOTES ROAD GULLY
 - TWO 200W LED LIGHTS ON A 8.5 METER ROUND GALVANIZED STEEL POLE WITH TOP TENDON

ISSUE FOR PLANNING

Applicant
Shannon LNG Limited

REV.	DATE	REVISION	BY	CHKD.	APPR.
2	29/05/23	ISSUE FOR PLANNING	JD	VOH	BF
1	24/03/21	ISSUE FOR PLANNING	MAH	MC	BF
0	02/10/20	CONCEPTUAL ISSUE	MAH	MC	BF

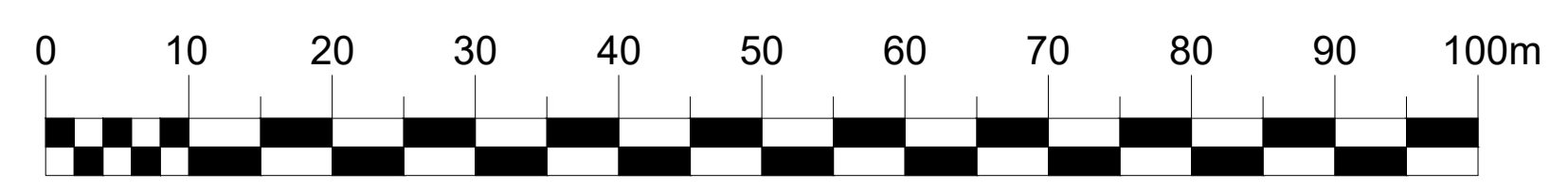
Client
Gas Networks Ireland
GAS NETWORK IRELAND
P.O. BOX 51, Gasworks Road, Cork
Rep of Ireland
T: +353 21 4534000
F: +353 21 4534001

Consultant
Fingleton White
Bridge Street Centre
Portlaoise
Co. Laois
R32 W0CC
Ireland
T: (00353)057 866 5400
www.fingleton.ie

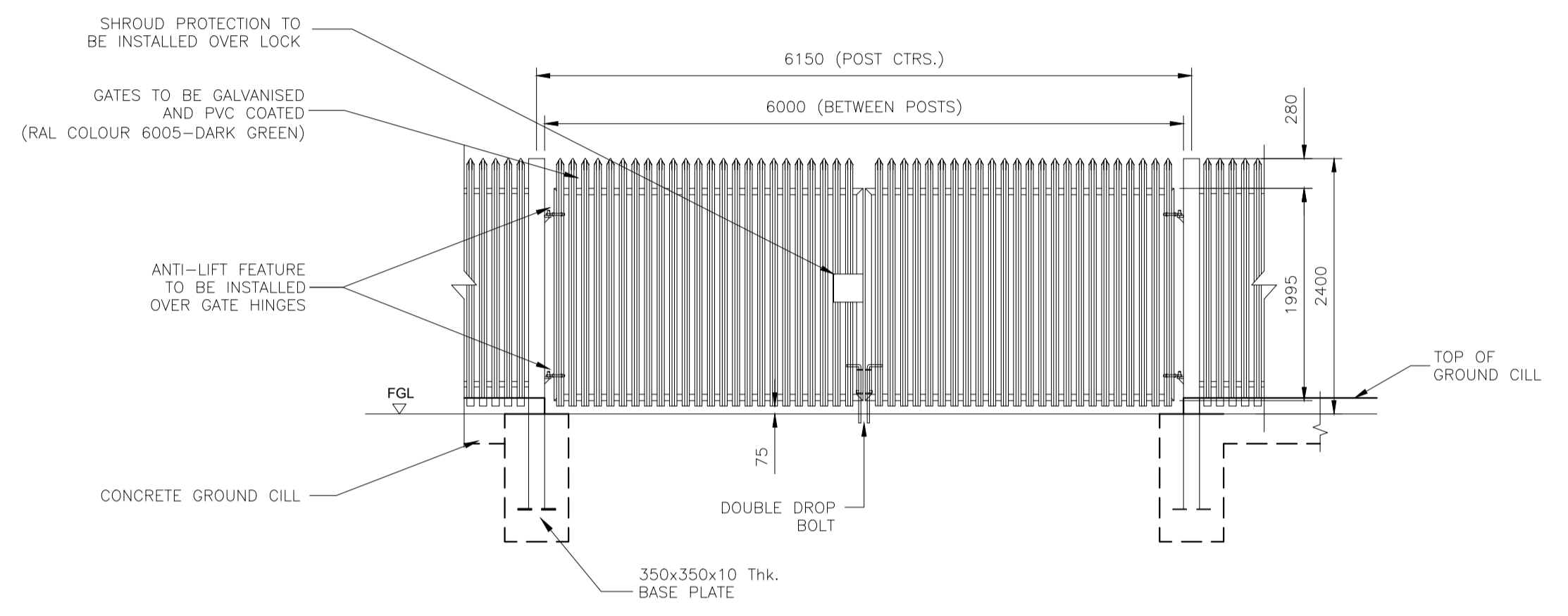
Project
SHANNON TECHNOLOGY AND ENERGY PARK (STEP)

Title
RALAPPANE AGI - SITE LAYOUT

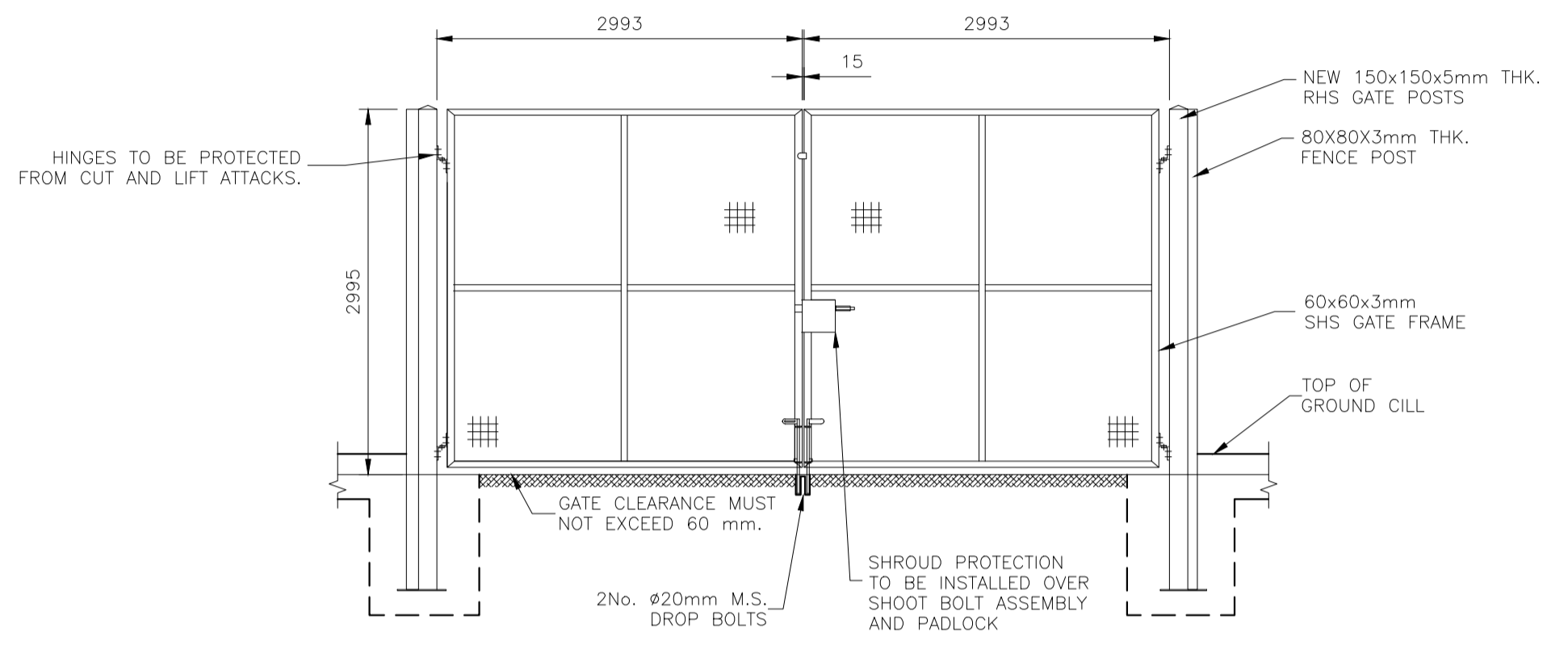
Drawn J. DELANEY	Scale 1:500/A1	Drawing Number 1227-02-DG-0001	Rev. 2
Check V. O'HARA	Date 29/05/2023	Status ISSUED	
Appr. B. FINGLETON			



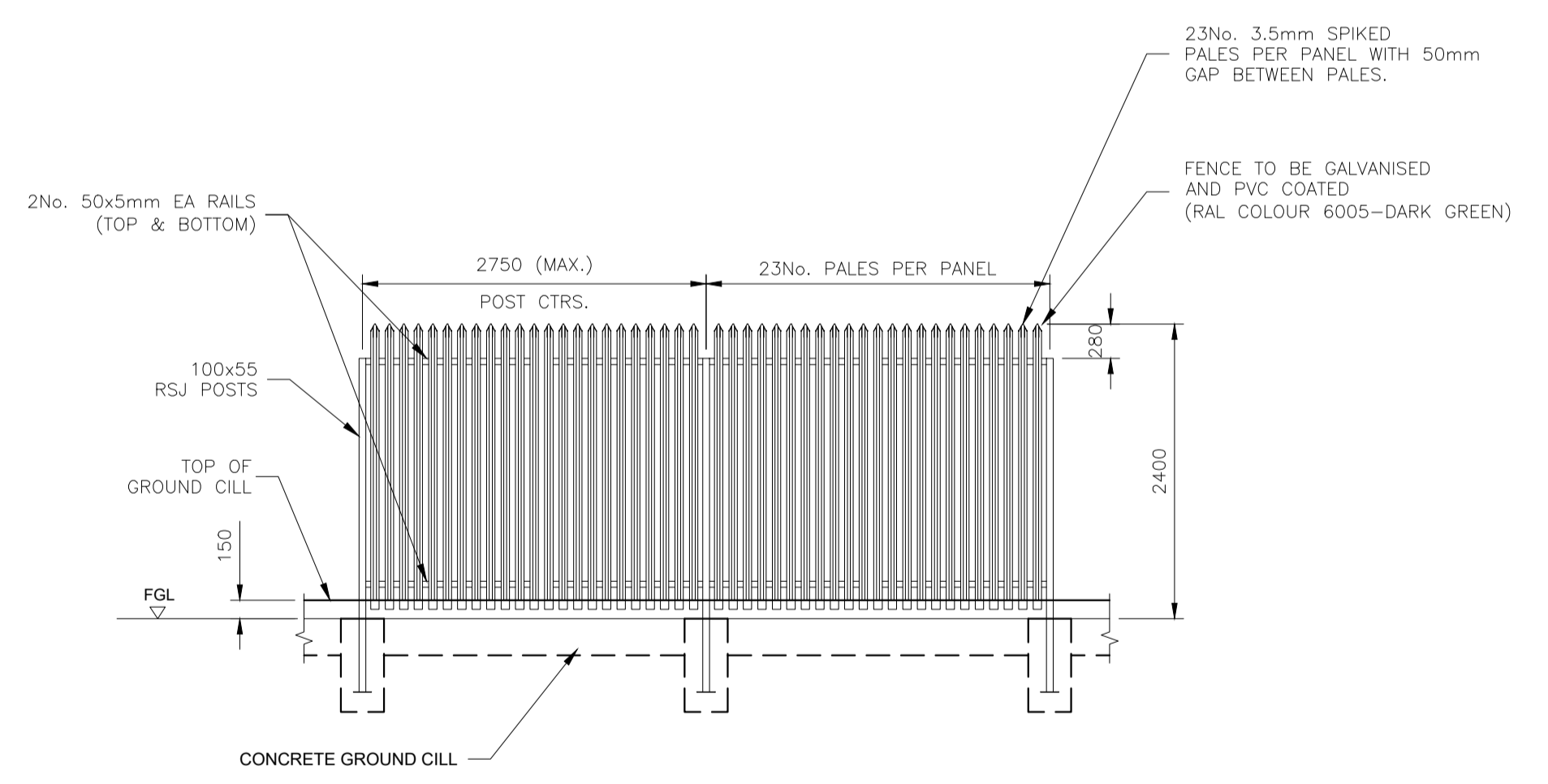
SITE LAYOUT
SCALE 1:500



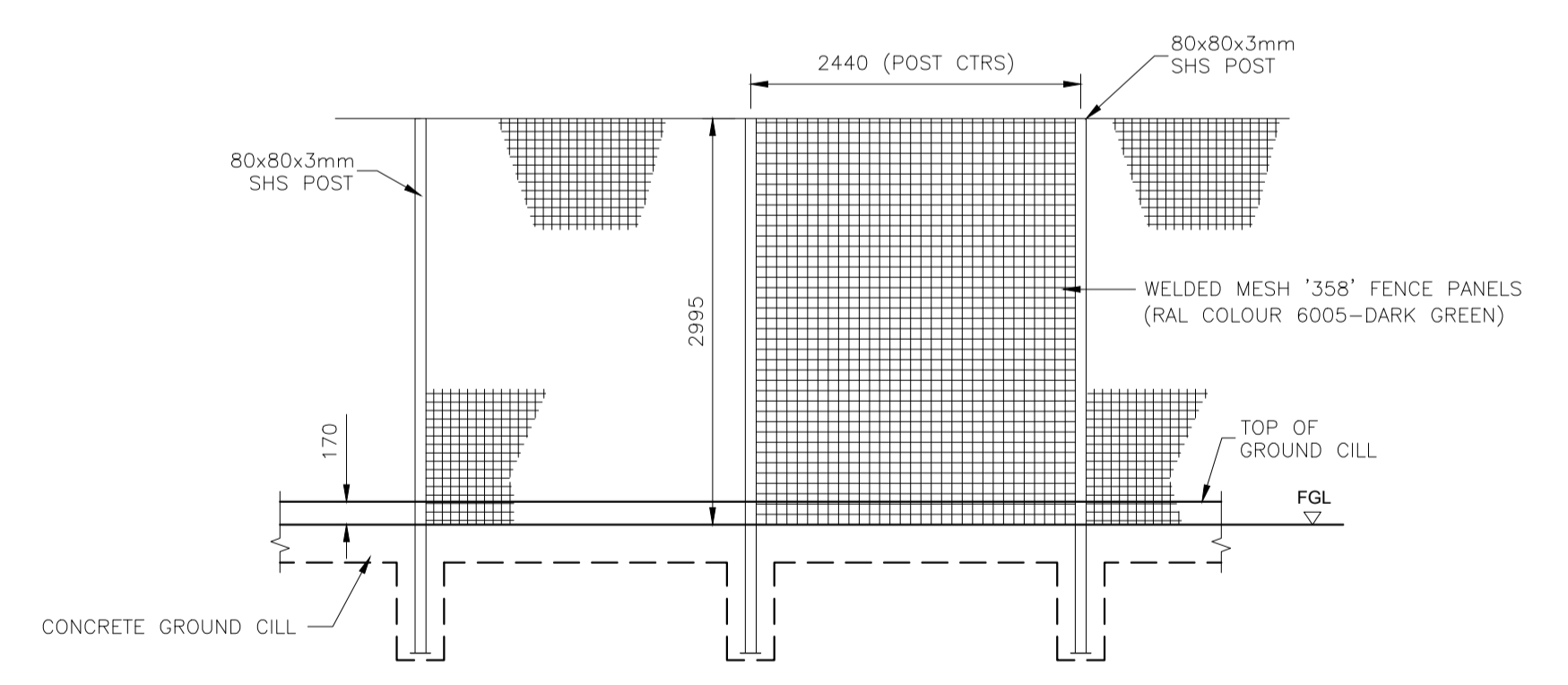
PALISADE ACCESS SECURITY GATE
EXTERNAL ELEVATION
(SCALE 1:50)



WELD MESH 358 ACCESS SECURITY GATE
EXTERNAL ELEVATION
(SCALE 1:50)



TYPICAL PALASADE SECURITY FENCING
EXTERNAL ELEVATION
(SCALE 1:50)



TYPICAL WELD MESH 358 SECURITY FENCING
EXTERNAL ELEVATION
(SCALE 1:50)

NOTES

ISSUE FOR PLANNING

Applicant
Shannon LNG Limited

REV.	DATE	REVISION	BY	CHKD.	APPR.
1	24/03/21	ISSUE FOR PLANNING	MAH	MC	BF
0	02/10/20	CONCEPTUAL ISSUE	OC	MC	BF

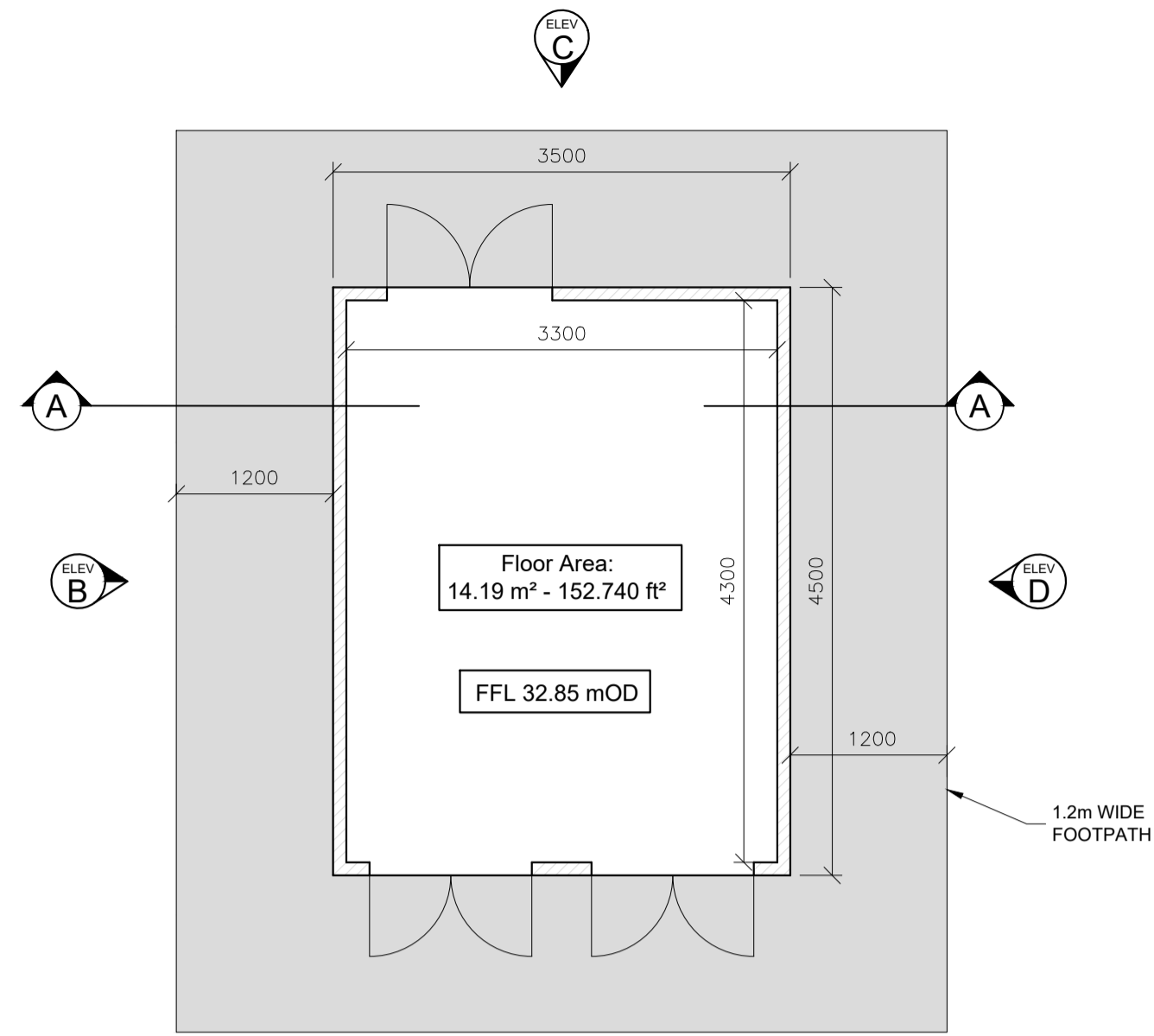
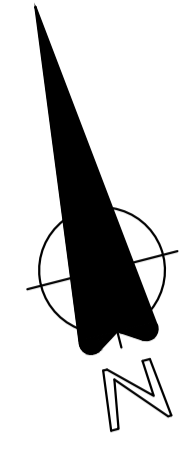
Client
Gas Networks Ireland
P.O. BOX 51, Gasworks Road, Cork
Rep. of Ireland
T: +353 21 4534000
F: +353 21 4534001

Consultant
Fingleton White
Bridge Street Centre
Portlaoise
Co. Laois
R32 W0CC
Ireland
T: (00353)0157 866 5400
www.fingleton.ie

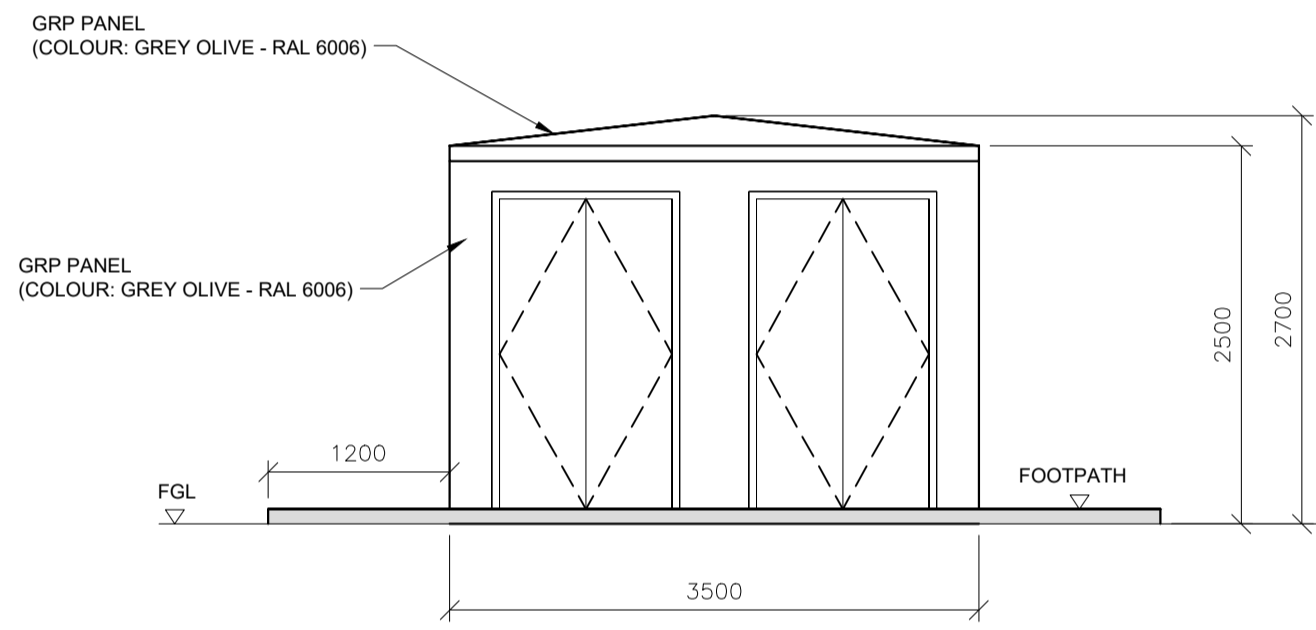
Project
SHANNON TECHNOLOGY AND ENERGY PARK (STEP)

Title
SECURITY FENCE & GATES DETAILS

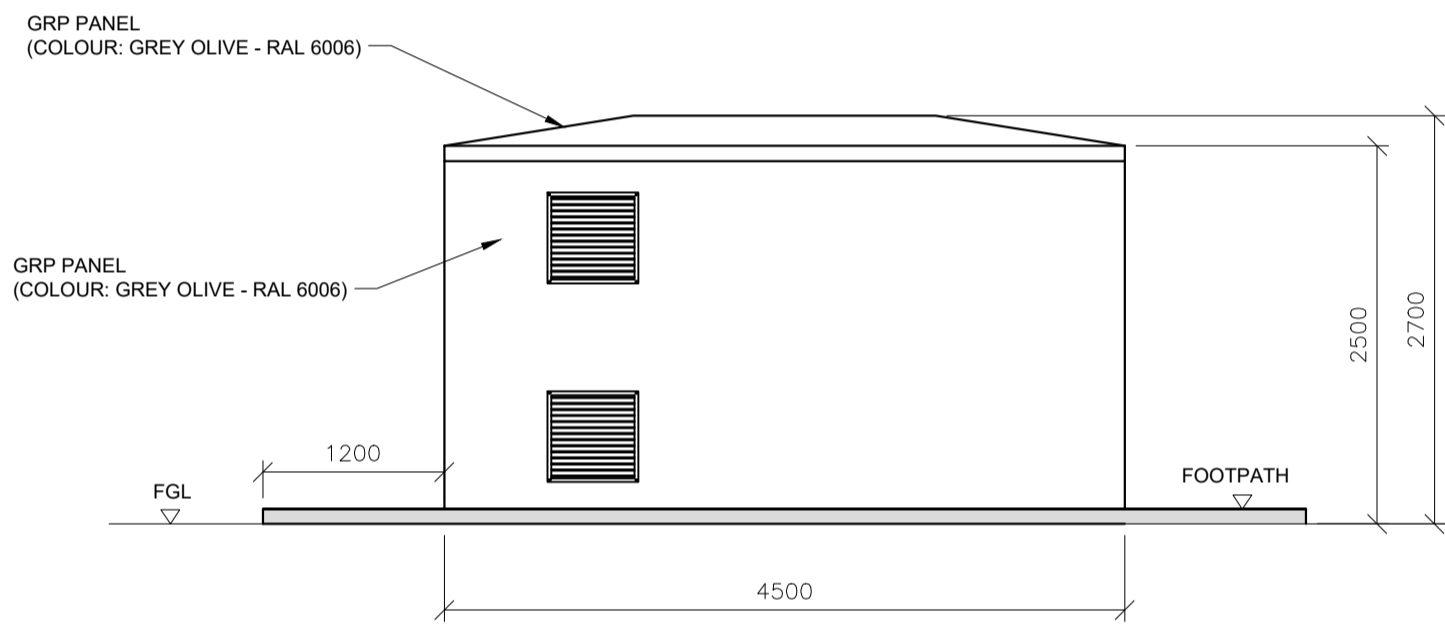
Drawn M.ABOUHJAR	Scale 1:50/A1	Drawing Number	Rev.
Check M.CONROY	Date 24/03/21	1227-02-DC-0002	1
Appr. B.FINGLETON	Status ISSUED		



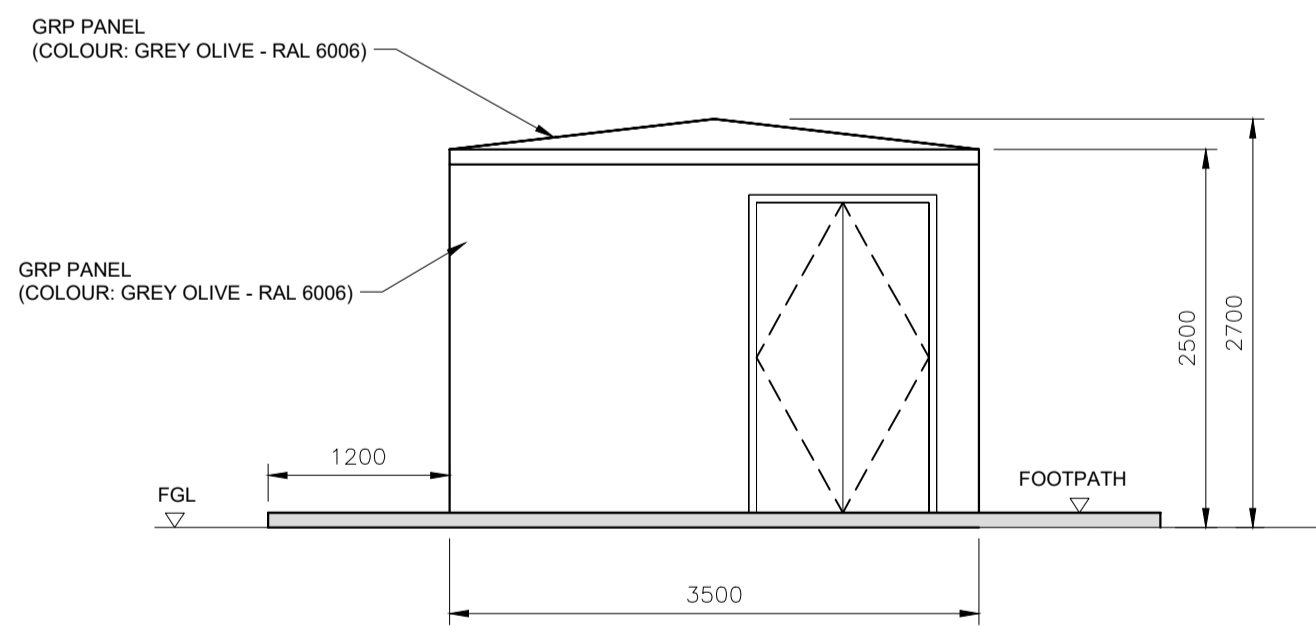
PLAN VIEW
SCALE: 1:50



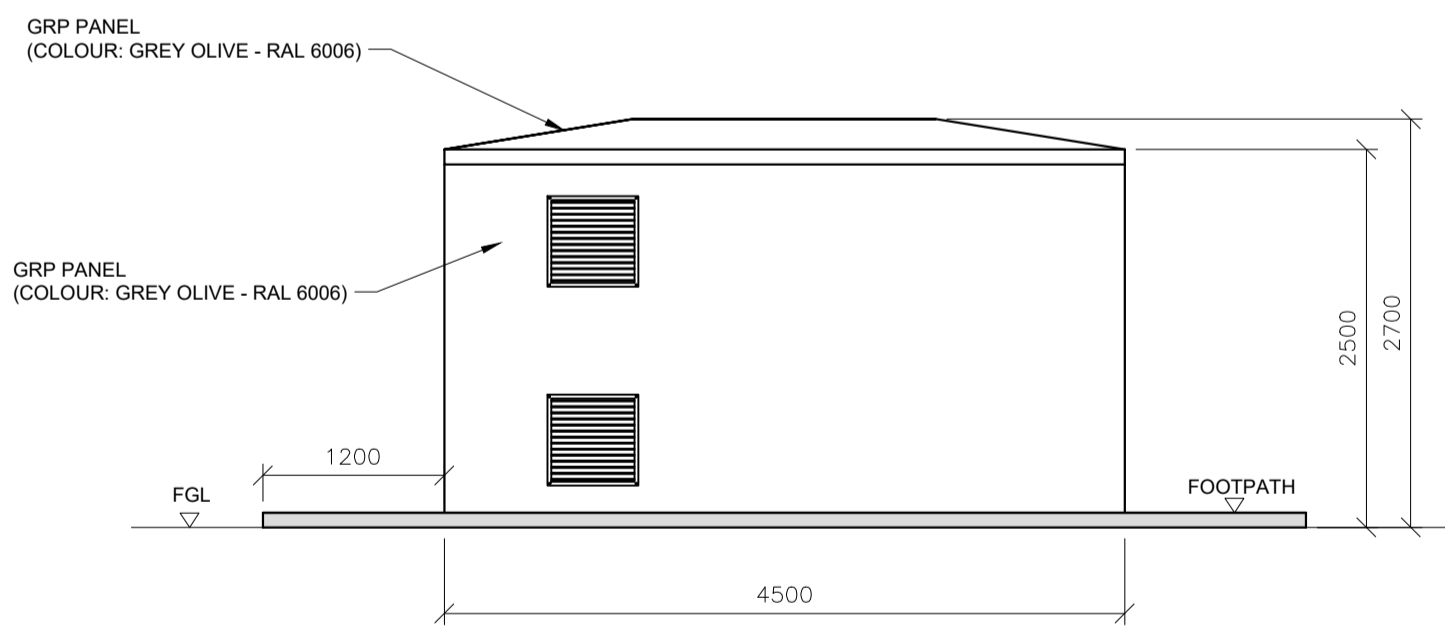
ELEVATION VIEW 'A'
SCALE: 1:50



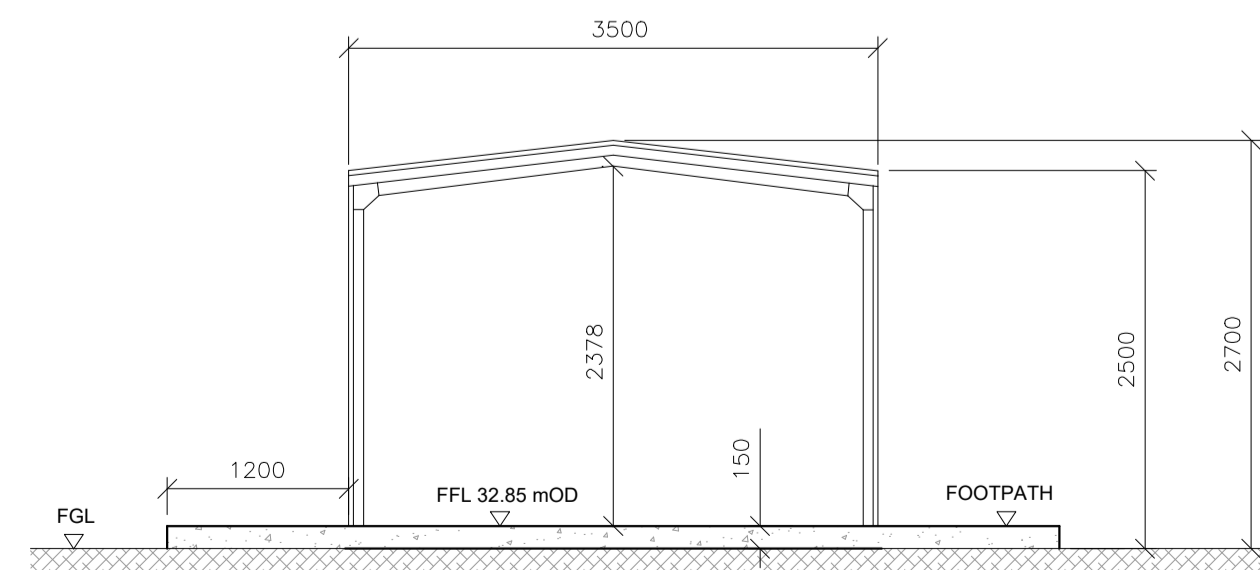
ELEVATION VIEW 'B'
SCALE: 1:50



ELEVATION VIEW 'C'
SCALE: 1:50



ELEVATION VIEW 'D'
SCALE: 1:50



SECTION A-A
SCALE: 1:50

NOTES

ISSUE FOR PLANNING

Applicant

Shannon LNG Limited

REV.	DATE	REVISION	BY	CHKD.	APPR.
2	11/08/21	ISSUE FOR PLANNING	RMD	MC	BF
1	24/03/21	ISSUE FOR PLANNING	MAH	MC	BF
0	02/10/20	CONCEPTUAL ISSUE	MAH	MC	BF

Client

Gas Networks Ireland
P.O. BOX 51, Gasworks Road, Cork
Rep. of Ireland
T : +353 21 4534000
F : +353 21 4534001

Consultant

Fingleton White
Bridge Street Centre
Portlaoise
Co. Laois
R32 W0CC
Ireland
T: (00353)0157 866 5400
www.fingleton.ie

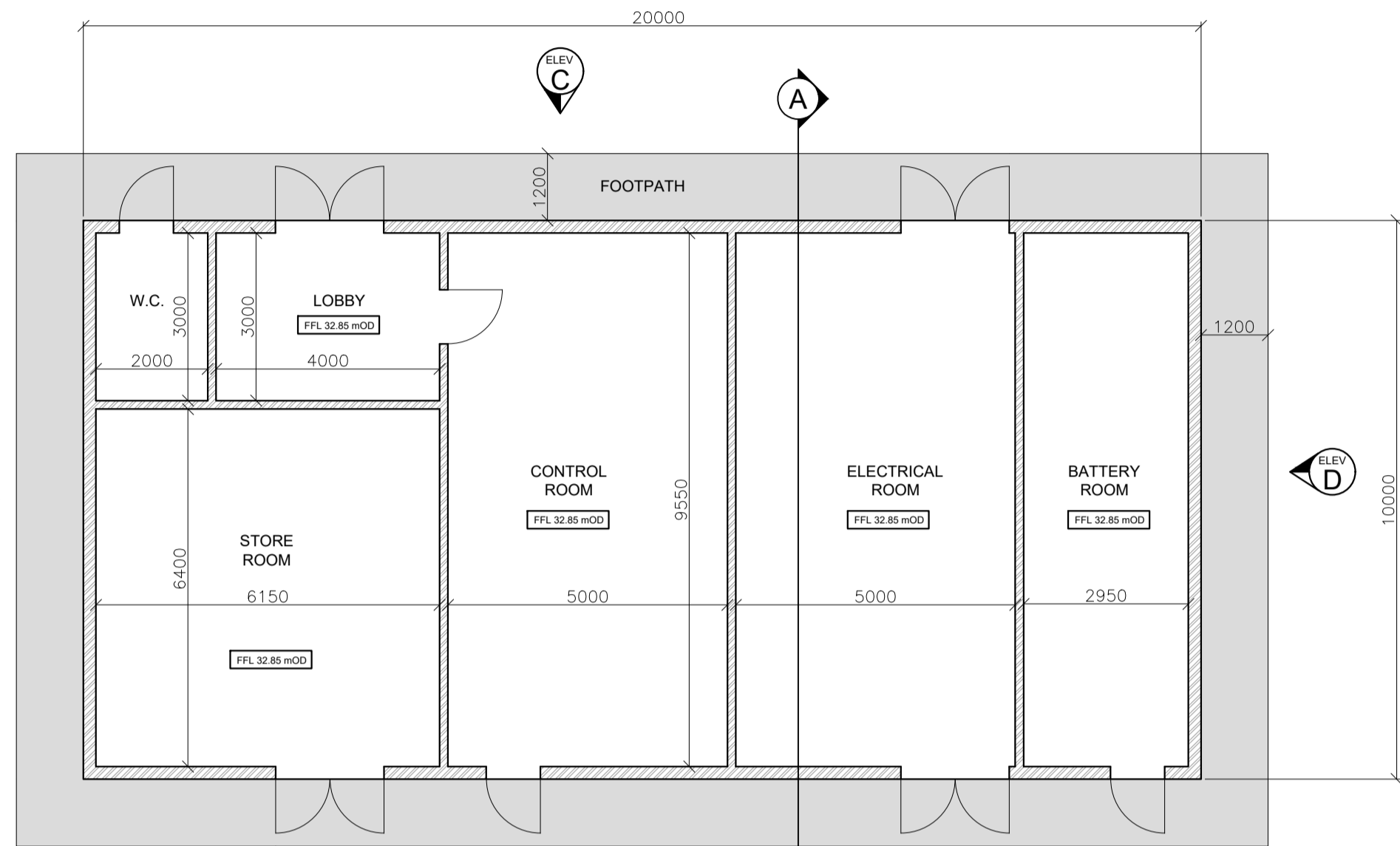
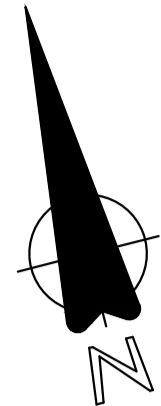
Project

SHANNON TECHNOLOGY AND ENERGY PARK (STEP)

Title

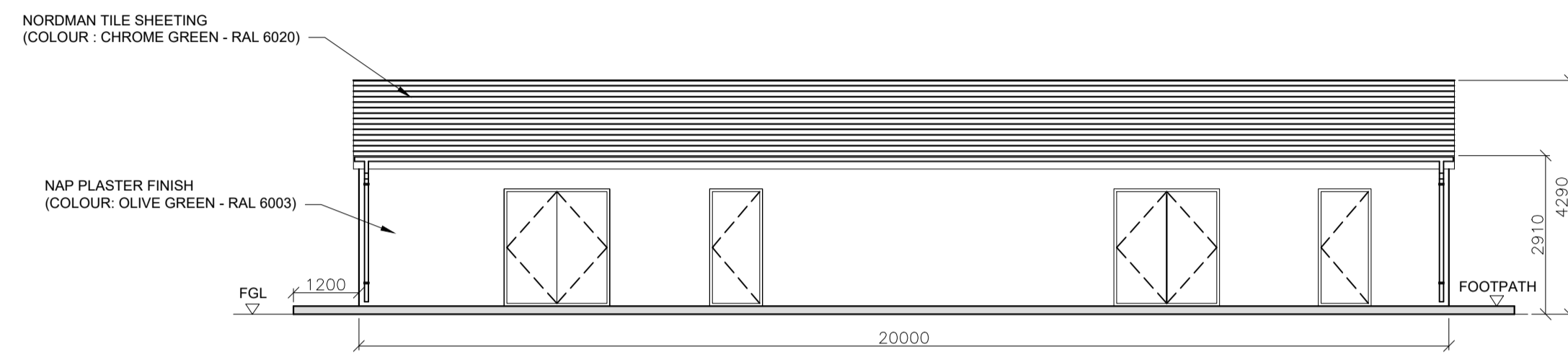
**CHROMATOGRAPH BUILDING
PLAN, ELEVATIONS & SECTION**

Drawn	Scale	Drawing Number	Rev.
M.ABOUHJAR	1:50/A1	1227-02-DG-0011	2
Chk'd	Date	Status	
M.CONROY	24/03/21	ISSUED	
App'd			
B.FINGLETON			

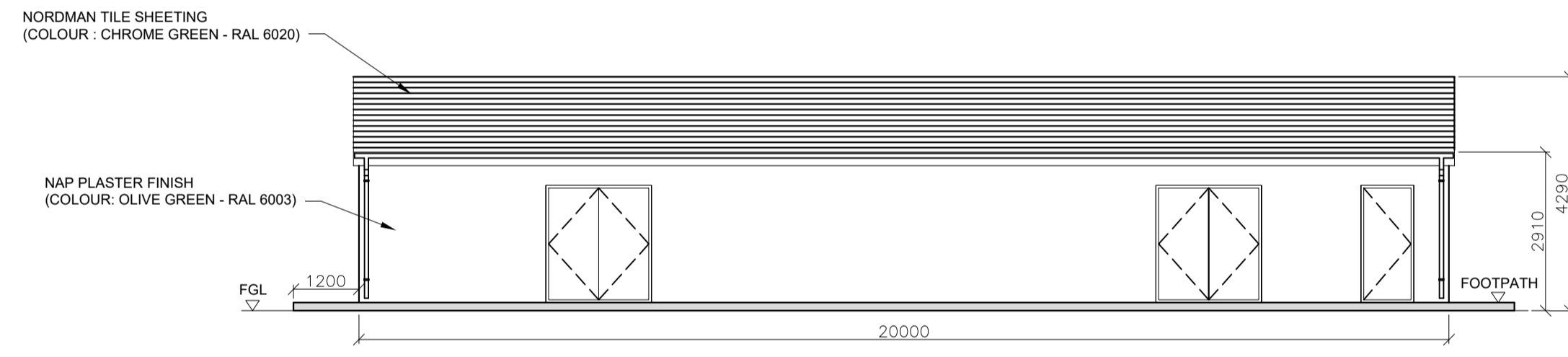


FLOOR PLAN
SCALE: 1:100

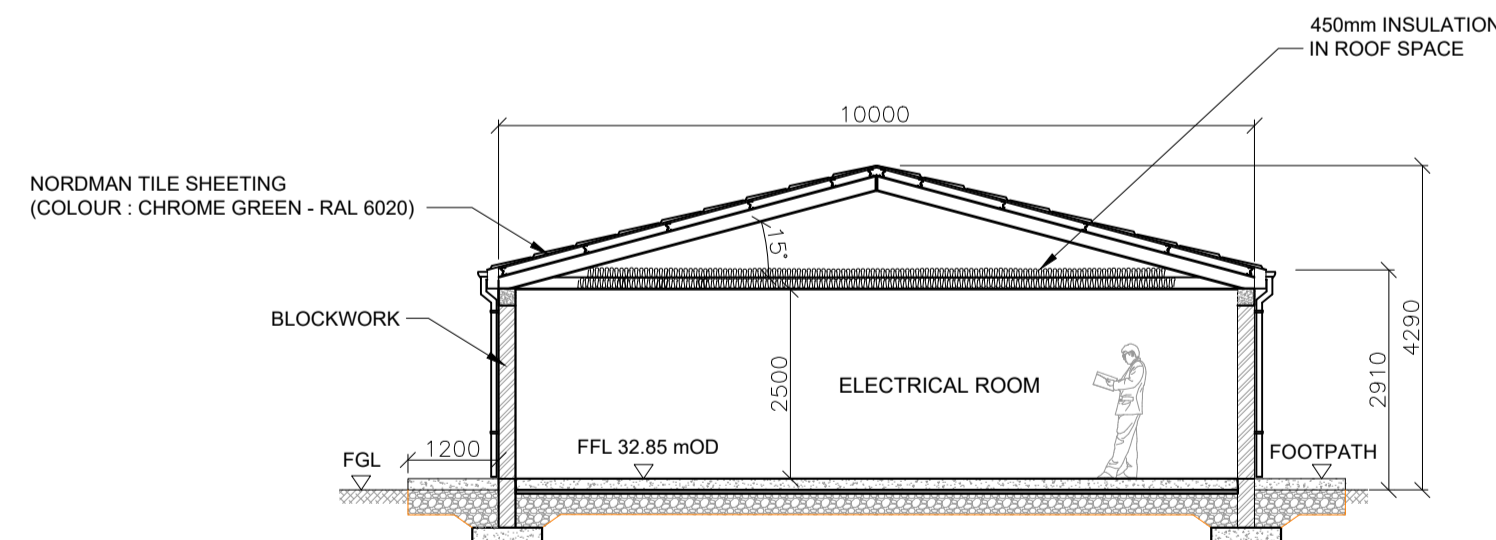
Floor Area:
186.7 m² - 2,010 ft²



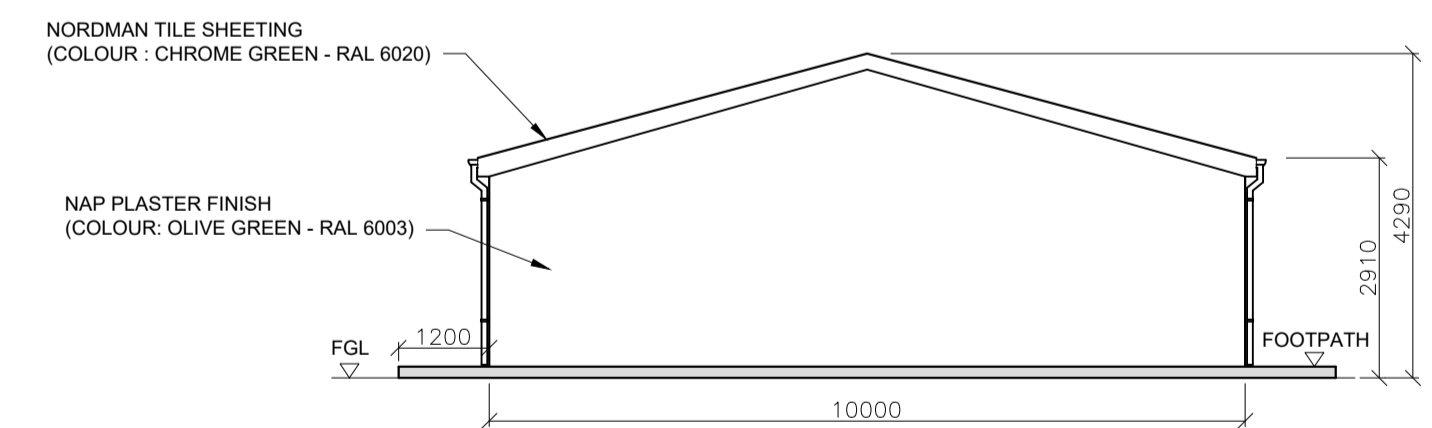
ELEVATION VIEW A
SCALE: 1:100



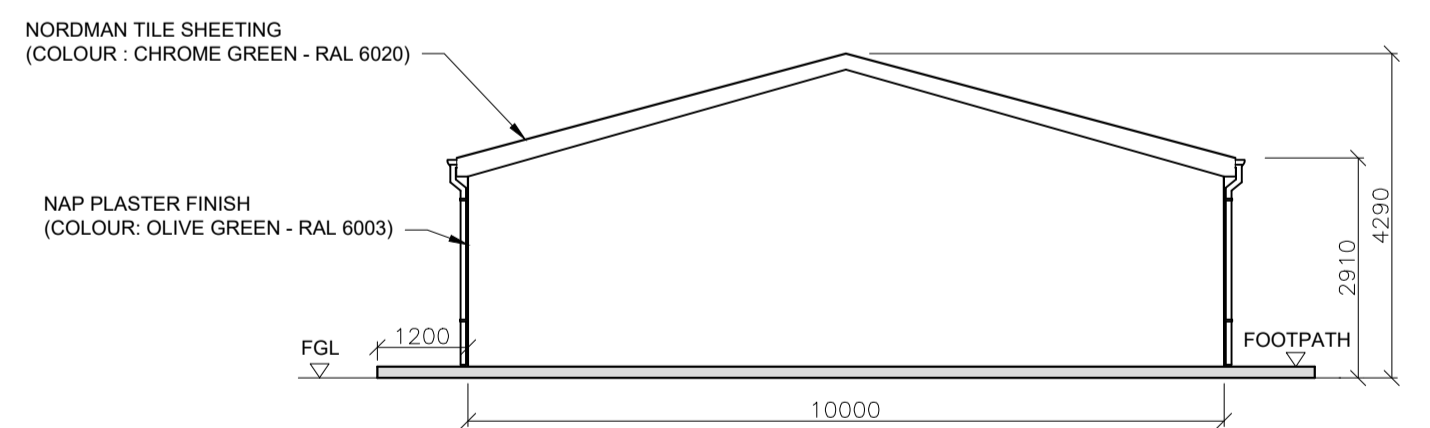
ELEVATION VIEW C
SCALE: 1:100



SECTION A-A
SCALE: 1:100



ELEVATION VIEW B
SCALE: 1:100



ELEVATION VIEW D
SCALE: 1:100

NOTES

ISSUE FOR PLANNING

Applicant
Shannon LNG Limited

REV.	DATE	REVISION	BY	CHKD.	APPR.
2	11/08/21	ISSUE FOR PLANNING	RMD	MC	BF
1	24/03/21	ISSUE FOR PLANNING	MAH	MC	BF
0	02/10/20	CONCEPTUAL ISSUE	OC	MC	BF

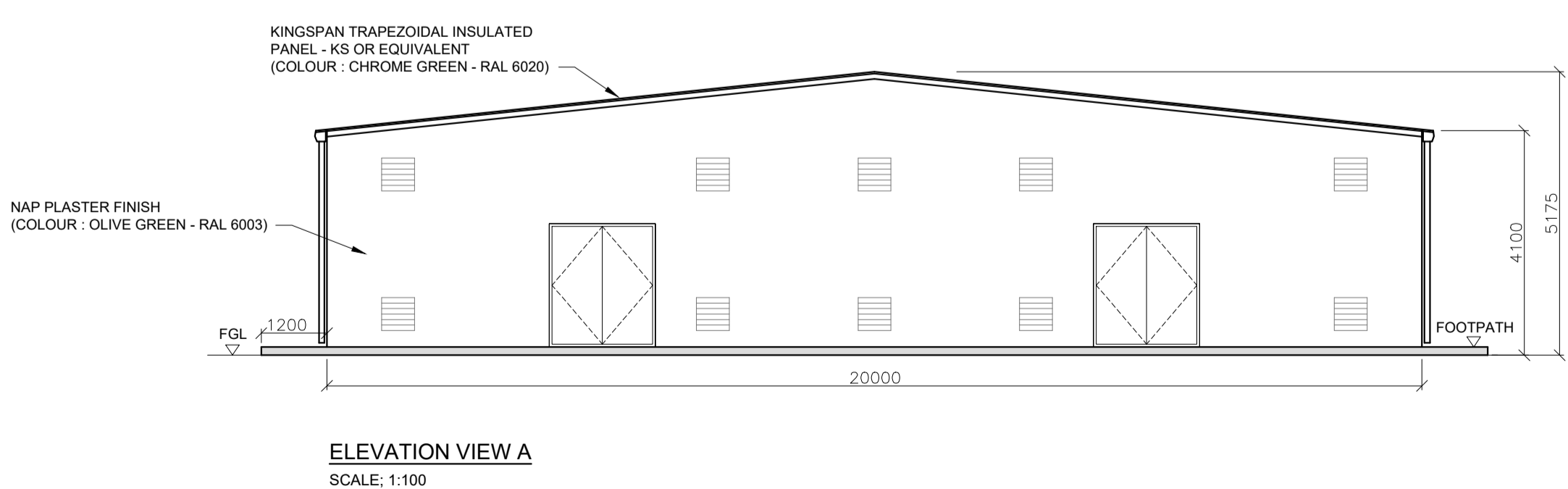
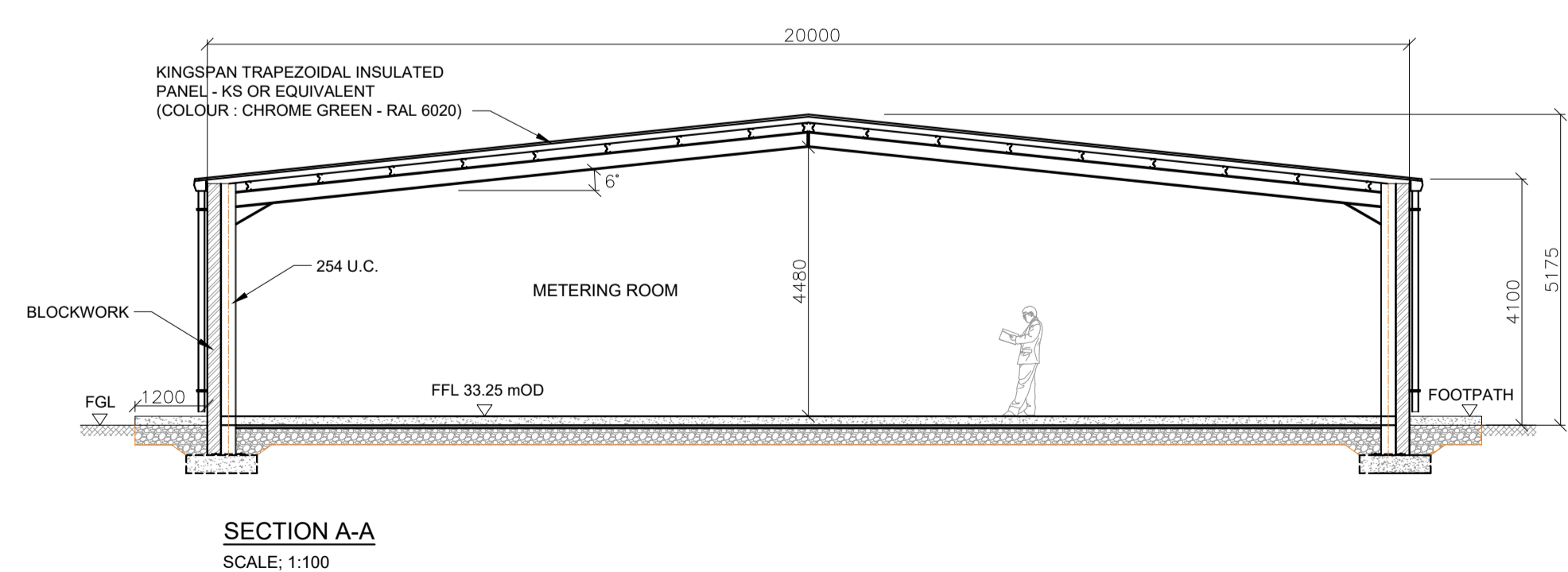
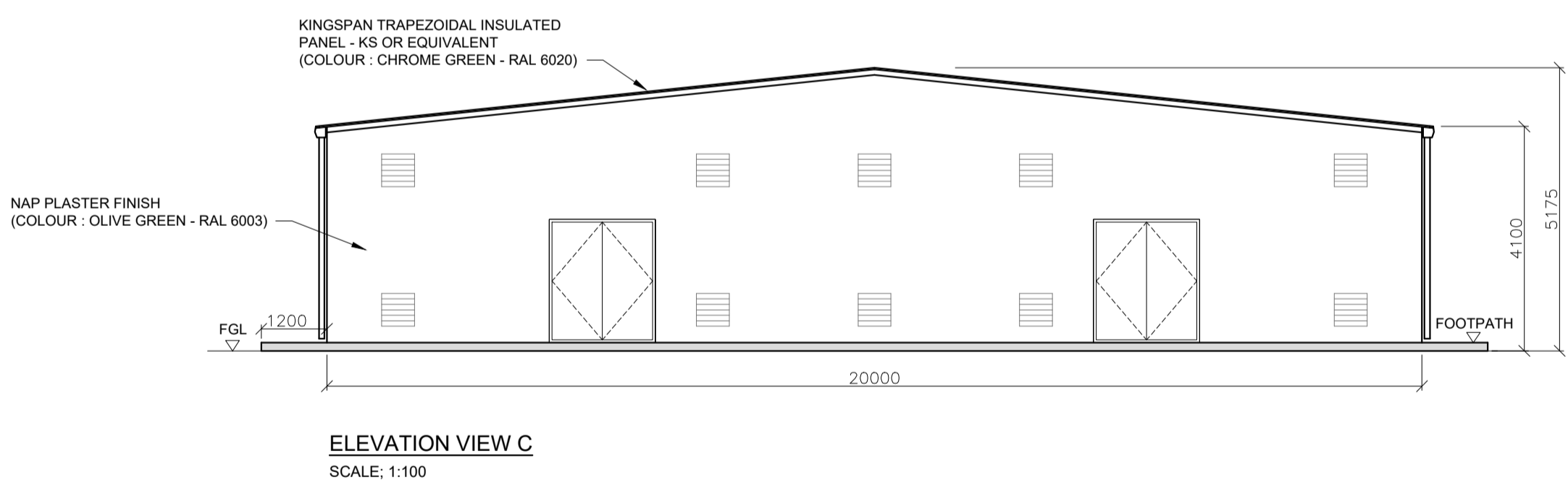
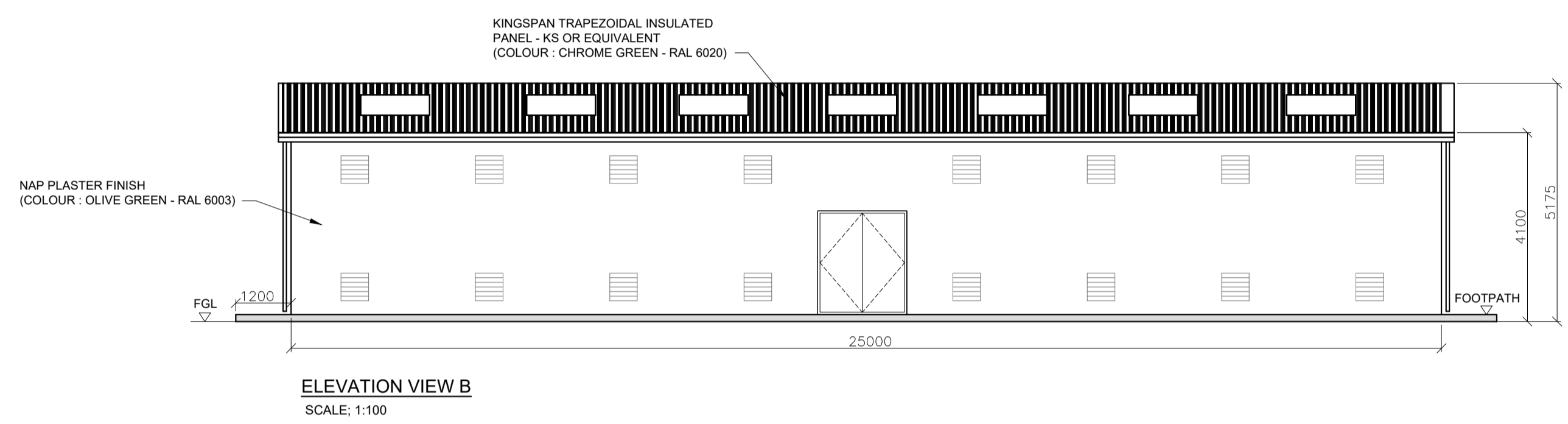
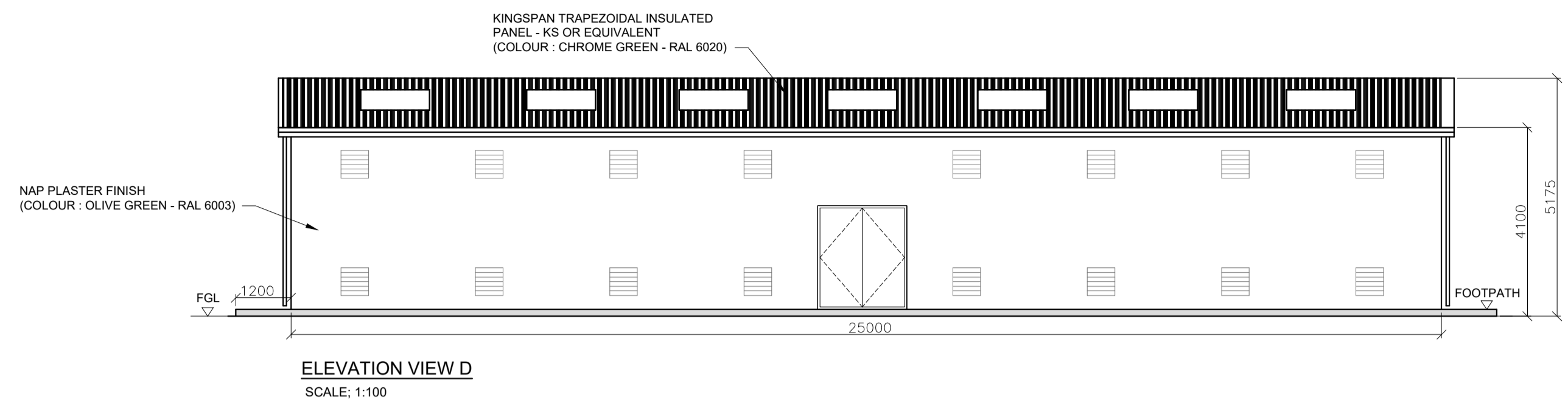
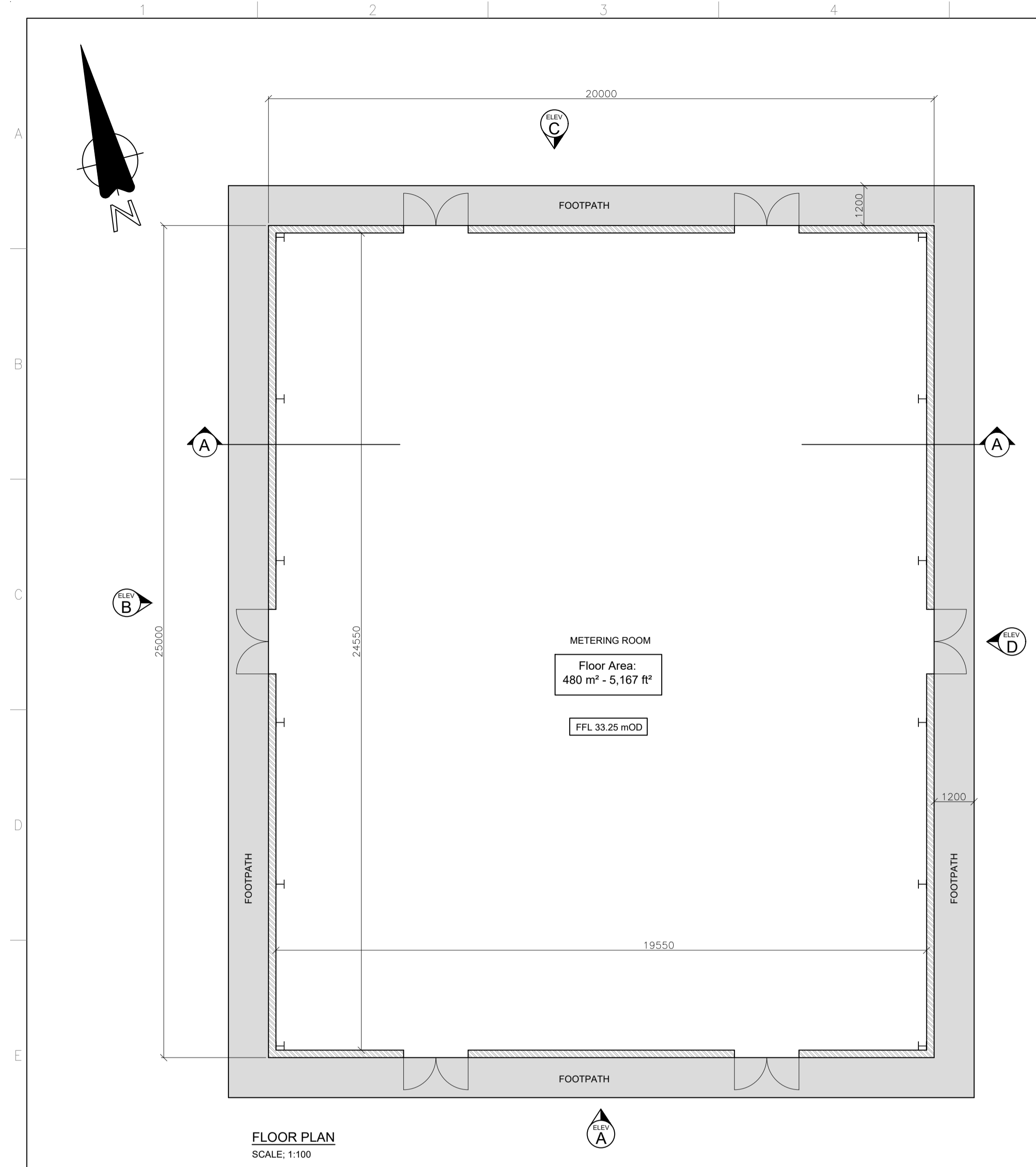
Client
Gas Networks Ireland
GAS NETWORK IRELAND
P.O. BOX 51, Gasworks Road, Cork
Rep of Ireland
T: +353 21 4534000
F: +353 21 4534001

Consultant
Fingleton White
Bridge Street Centre
Portlaoise
Co. Laois
R32 W0CC
Ireland
T: (00353)057 866 5400
www.fingleton.ie

Project
SHANNON TECHNOLOGY AND ENERGY PARK (STEP)

Title
CONTROL & INSTRUMENTATION BUILDING PLAN, ELEVATIONS & SECTION

Drawn	Scale	Drawing Number	Rev.
M.ABOUHJAR	1:100/A1	1227-02-DG-0012	2
Checked	Date	Status	
M.CONROY	24/03/21	ISSUED	
Approved			
B.FINGLETON			



NOTES

ISSUE FOR PLANNING

Applicant
Shannon LNG Limited

REV.	DATE	REVISION	BY	CHKD.	APPR.
2	11/08/21	ISSUE FOR PLANNING	RMD	MC	BF
1	24/03/21	ISSUE FOR PLANNING	MAH	MC	BF
0	02/10/20	CONCEPTUAL ISSUE	OC	MC	BF

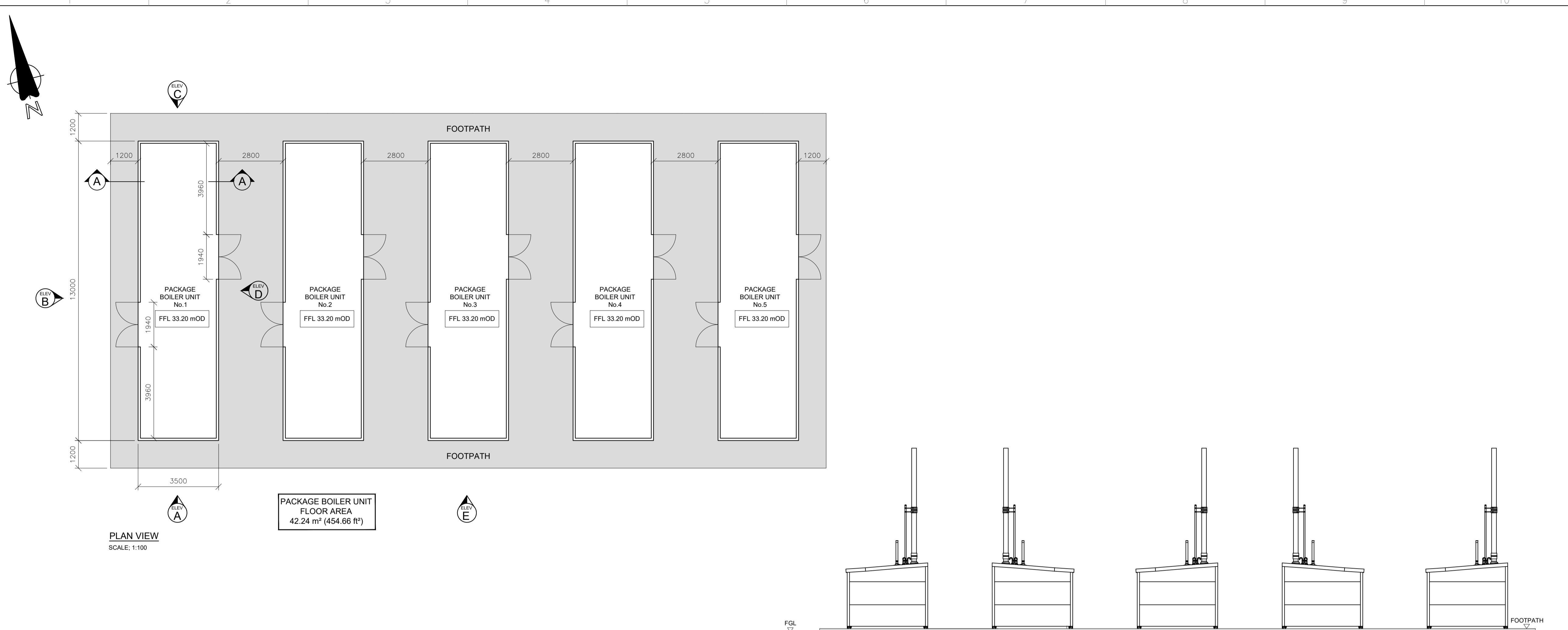
Client
Gas Networks Ireland
GAS NETWORK IRELAND
P.O. BOX 51, Gasworks Road, Cork
Rep of Ireland
T: +353 21 4534000
F: +353 21 4534001

Consultant
Fingleton White
Bridge Street Centre
Portlaoise
Co. Laois
R32 W0CC
Ireland
T: (00353)0157 866 5400
www.fingleton.ie

Project
SHANNON TECHNOLOGY AND ENERGY PARK (STEP)

Title
**METERING BUILDING
PLAN, ELEVATIONS & SECTION**

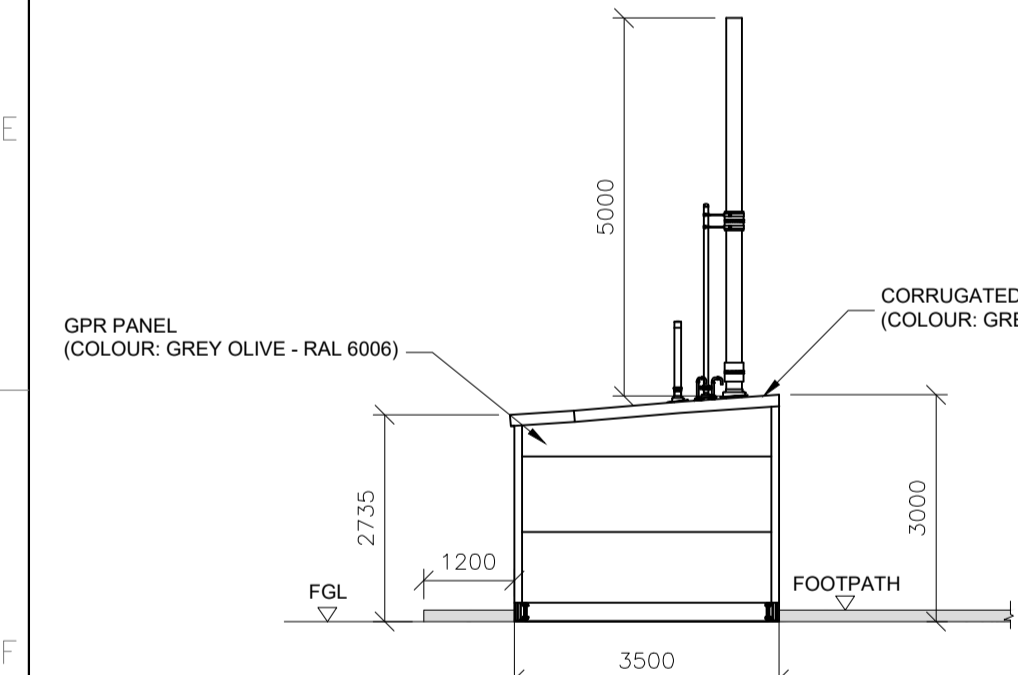
Drawn	Scale	Drawing Number	Rev.
M.ABOUHJAR	1:100/A1	1227-02-DG-0013	2
Checked	Date	Status	
M.CONROY	24/03/21	ISSUED	
Approved			
B.FINGLETON			



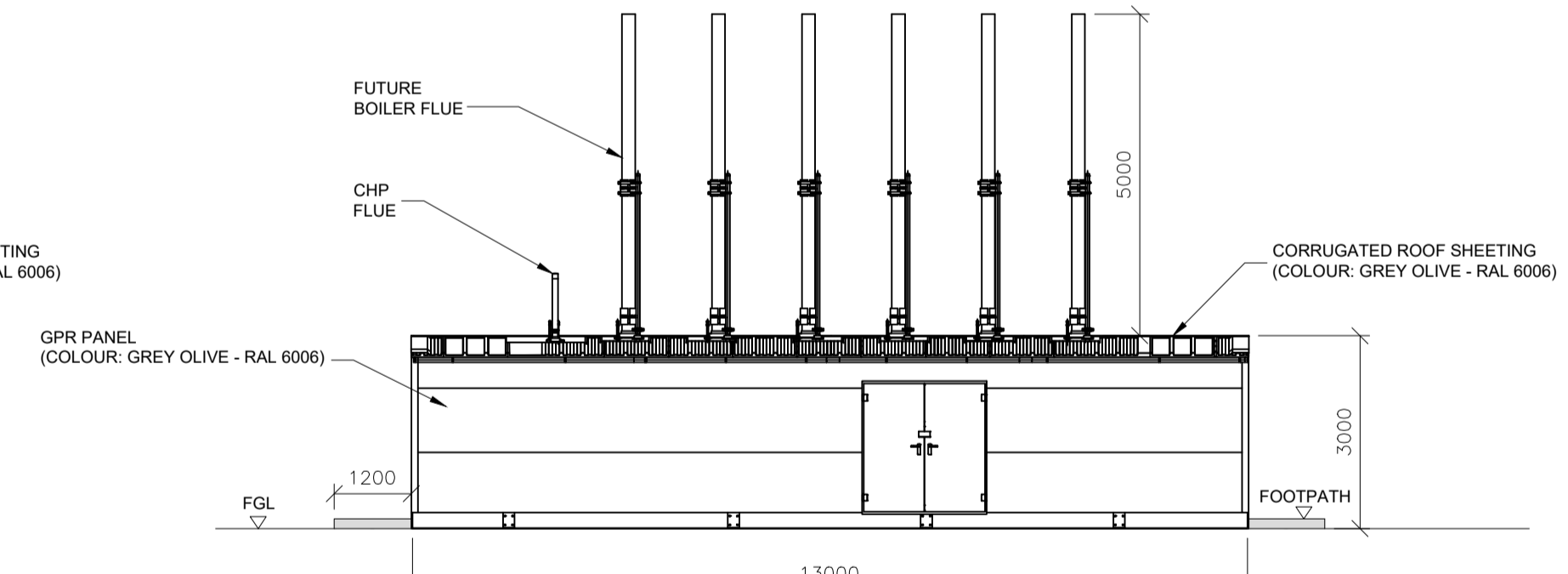
PACKAGE BOILER UNIT
FLOOR AREA
42.24 m² (454.66 ft²)

PLAN VIEW
SCALE: 1:100

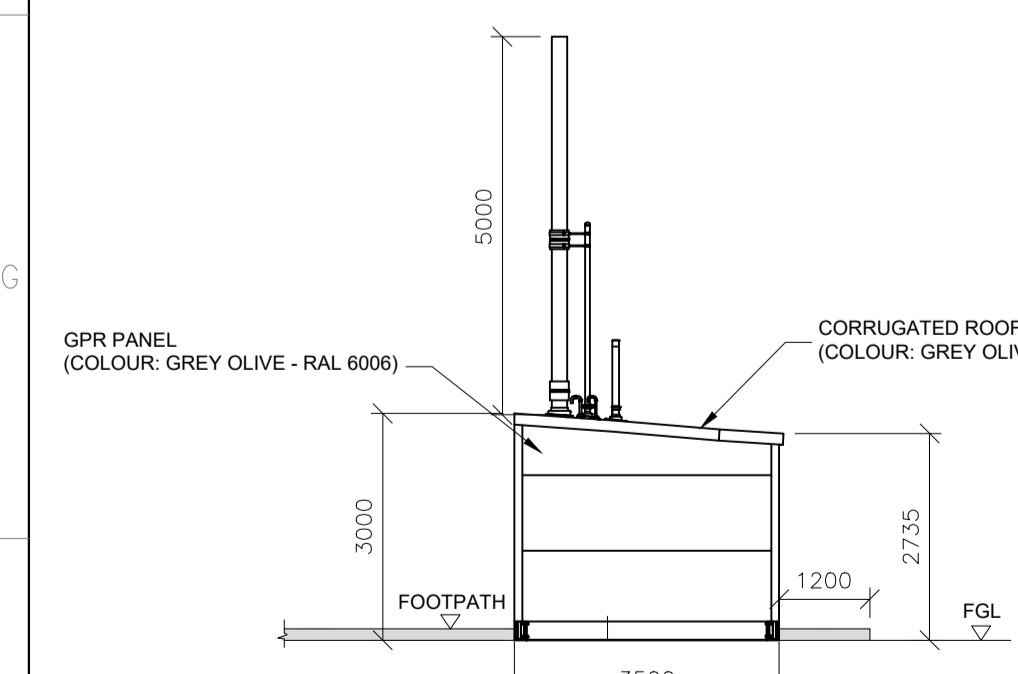
OVERALL ELEVATION VIEW E
SCALE: 1:100



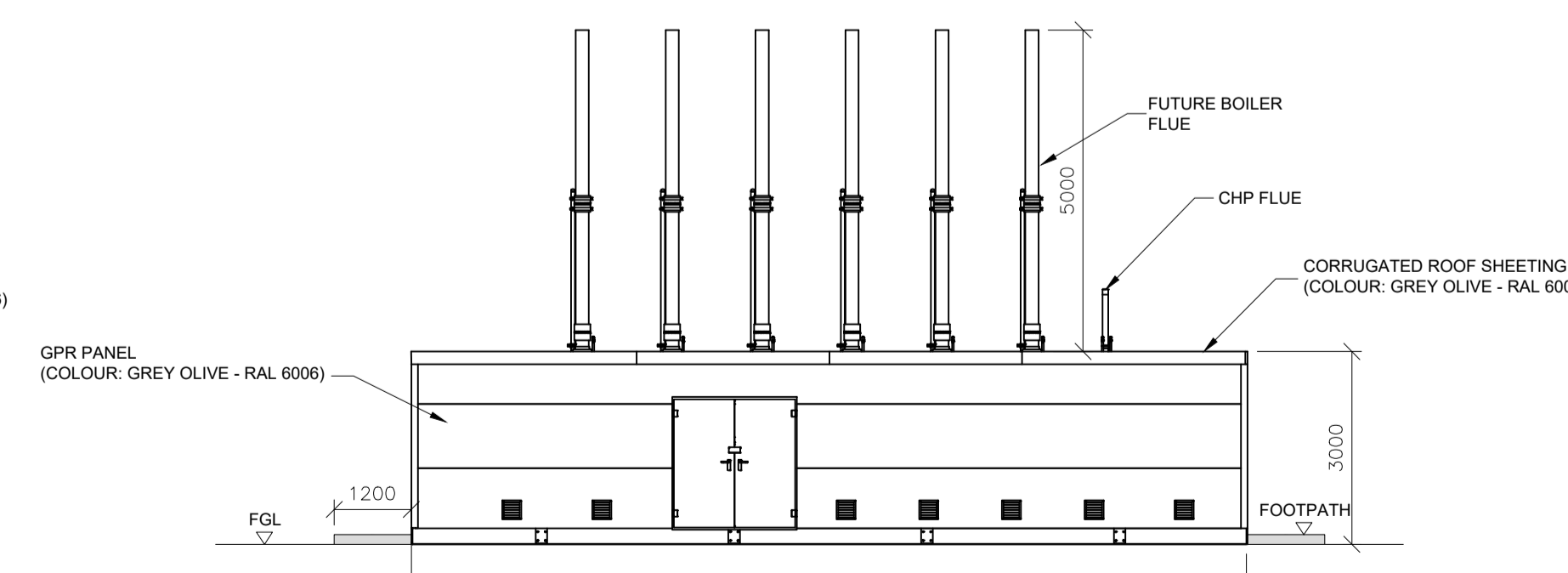
ELEVATION VIEW A
SCALE: 1:100



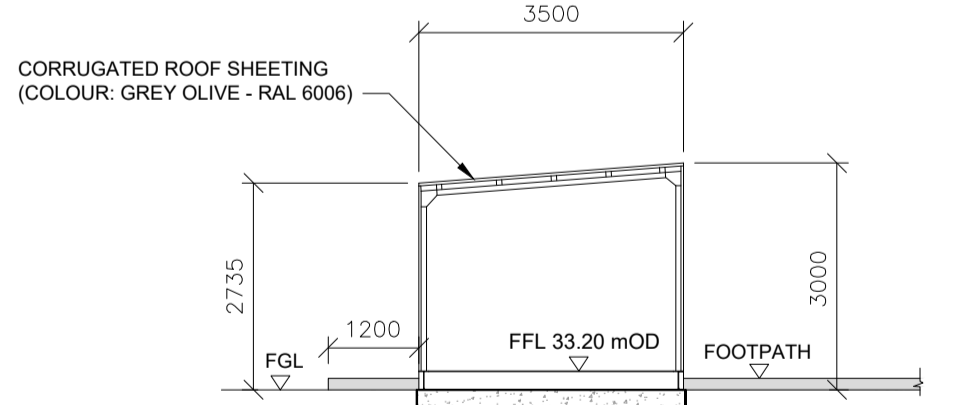
ELEVATION VIEW B
SCALE: 1:100



ELEVATION VIEW C
SCALE: 1:100



ELEVATION VIEW D
SCALE: 1:100



SECTION A-A
SCALE: 1:100

NOTES

ISSUE FOR PLANNING

Applicant
Shannon LNG Limited

REV.	DATE	REVISION	BY	CHKD.	APPR.
2	11/08/21	ISSUE FOR PLANNING	RMD	MC	BF
1	24/03/21	ISSUE FOR PLANNING	MAH	MC	BF
0	02/10/20	CONCEPTUAL ISSUE	MAH	MC	BF

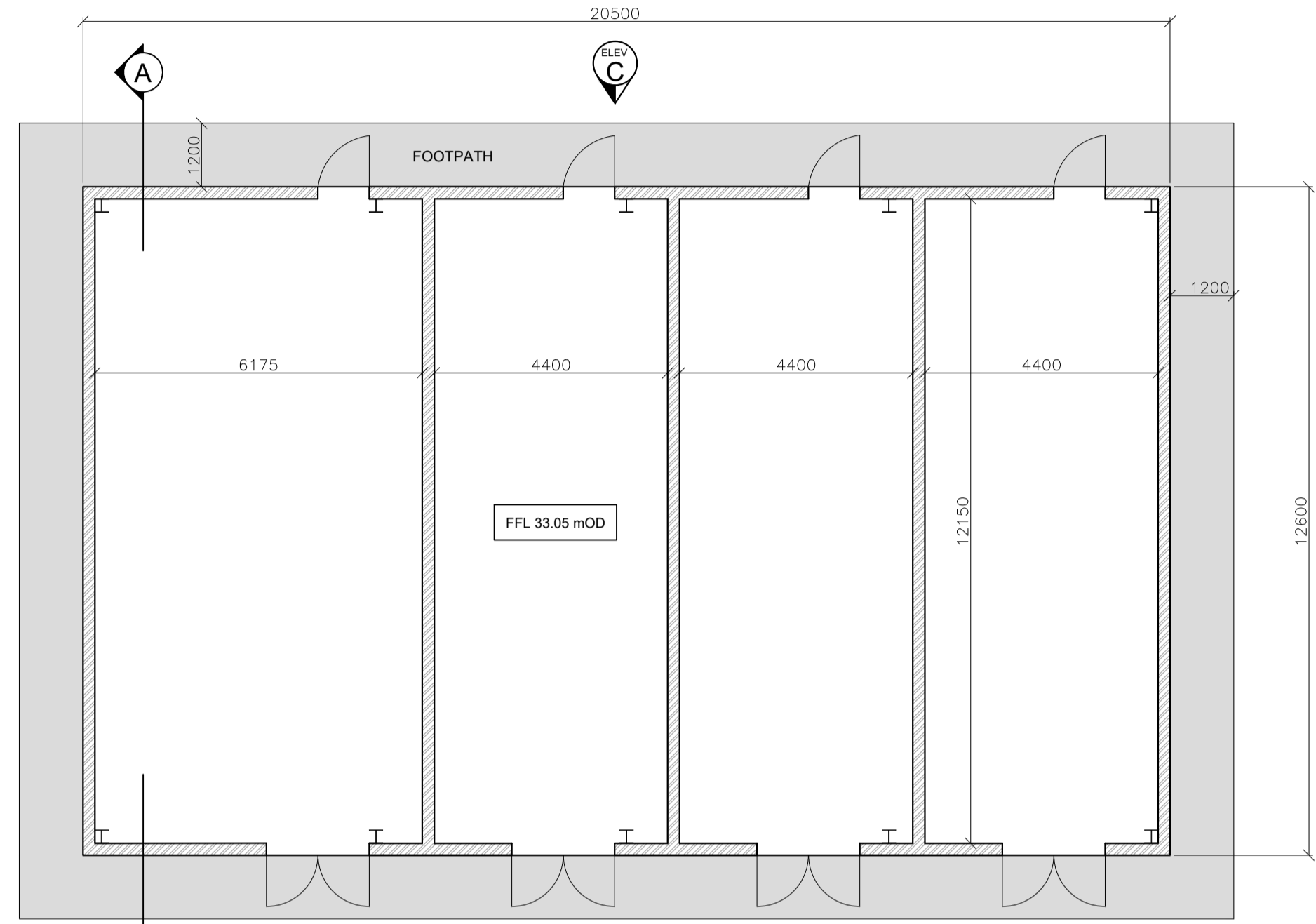
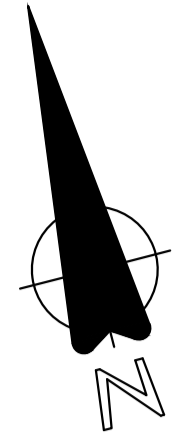
Client
Gas Networks Ireland
P.O. BOX 51, Gasworks Road, Cork
Rep. of Ireland
T : +353 21 4534000
F : +353 21 4534001

Consultant
Fingleton White
Bridge Street Centre
Portlaoise
Co. Laois
R32 W0CC
Ireland
T: (00353)0157 866 5400
www.fingleton.ie

Project
SHANNON TECHNOLOGY AND ENERGY PARK (STEP)

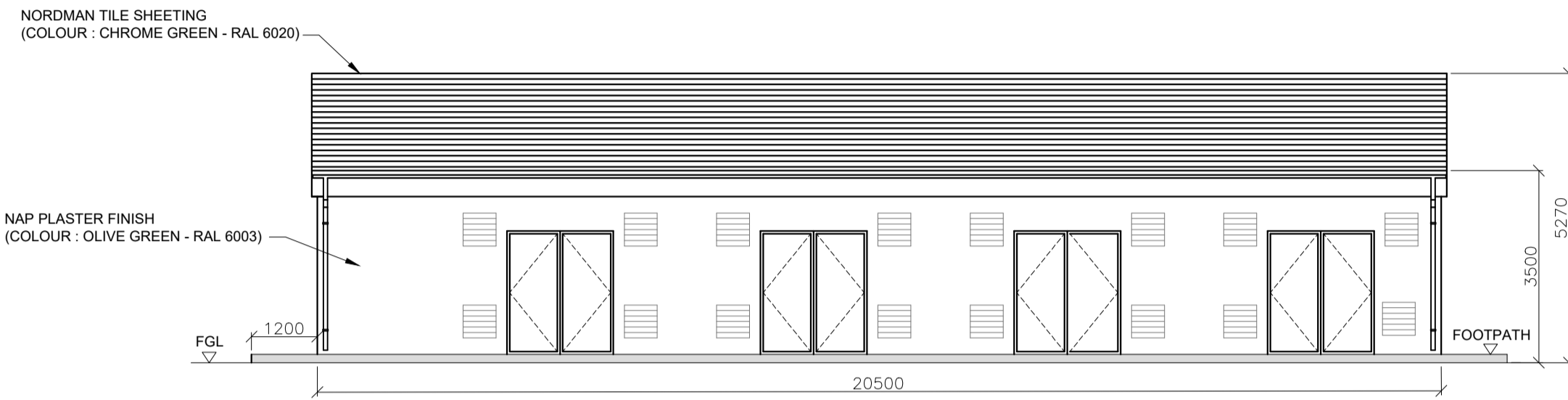
Title
**BOILER UNIT DETAILS
PLAN, ELEVATIONS & SECTION**

Drawn	Scale	Drawing Number	Rev.
M.ABOUHJAR	1:100/A1	1227-02-DG-0014	2
Chkd M.CONROY	Date 24/03/21		
Apprd B.FINGLETON	Status ISSUED		

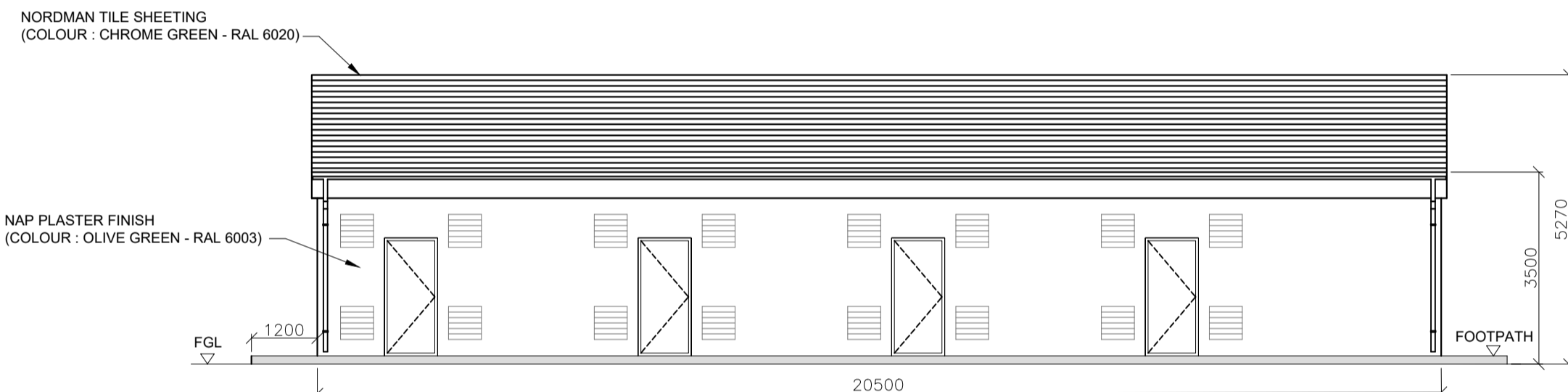


FLOOR PLAN
SCALE: 1:100

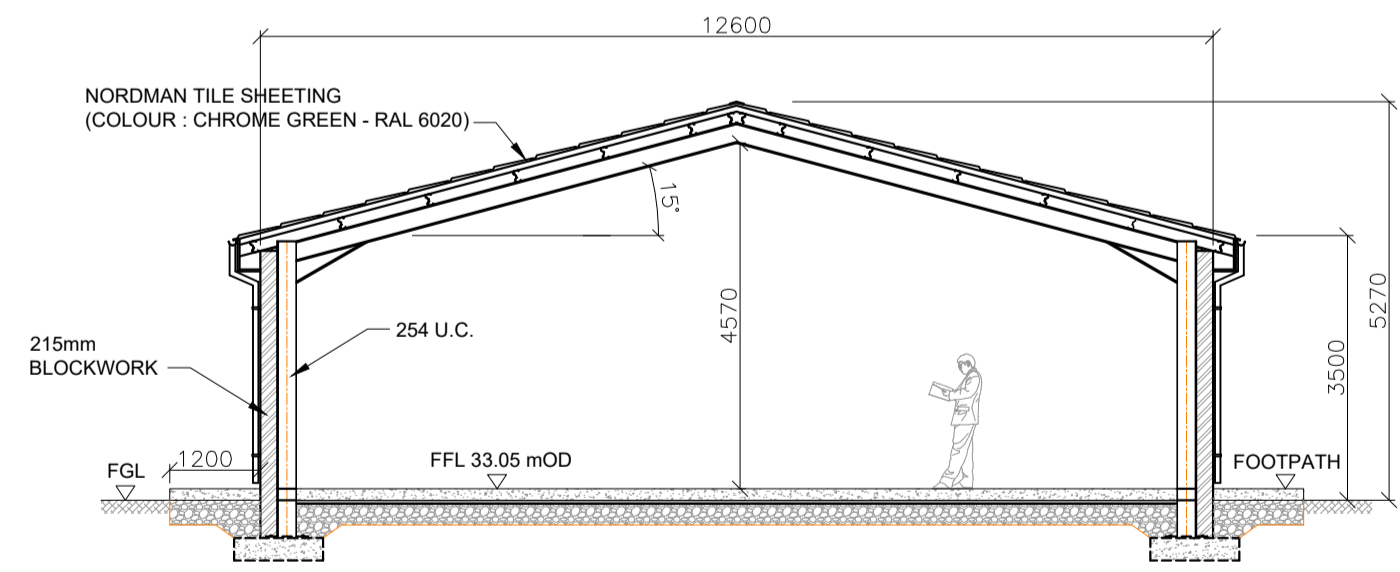
Floor Area:
243.6 m² - 2,622 ft²



ELEVATION VIEW 'A'
SCALE: 1:100



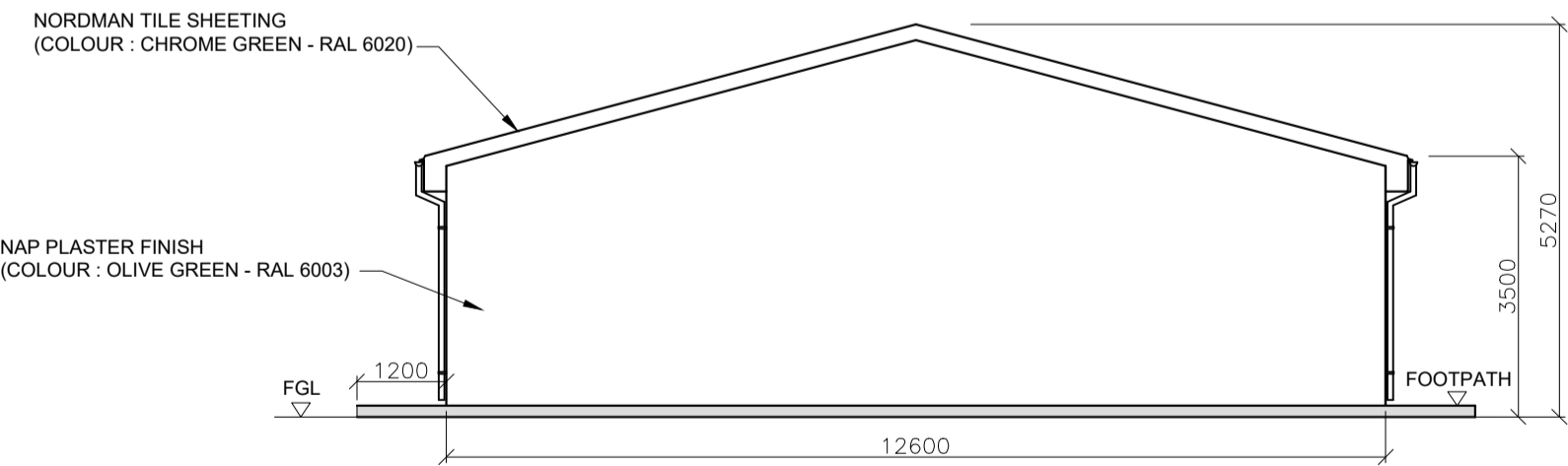
ELEVATION VIEW 'C'
SCALE: 1:100



SECTION A-A
SCALE: 1:100



ELEVATION VIEW 'B'
SCALE: 1:100



ELEVATION VIEW 'D'
SCALE: 1:100

NOTES

ISSUE FOR PLANNING

Applicant
Shannon LNG Limited

REV.	DATE	REVISION	BY	CHKD.	APPR.
2	11/08/21	ISSUE FOR PLANNING	RMD	MC	BF
1	24/03/21	ISSUE FOR PLANNING	MAH	MC	BF
0	02/10/20	CONCEPTUAL ISSUE	OC	MC	BF

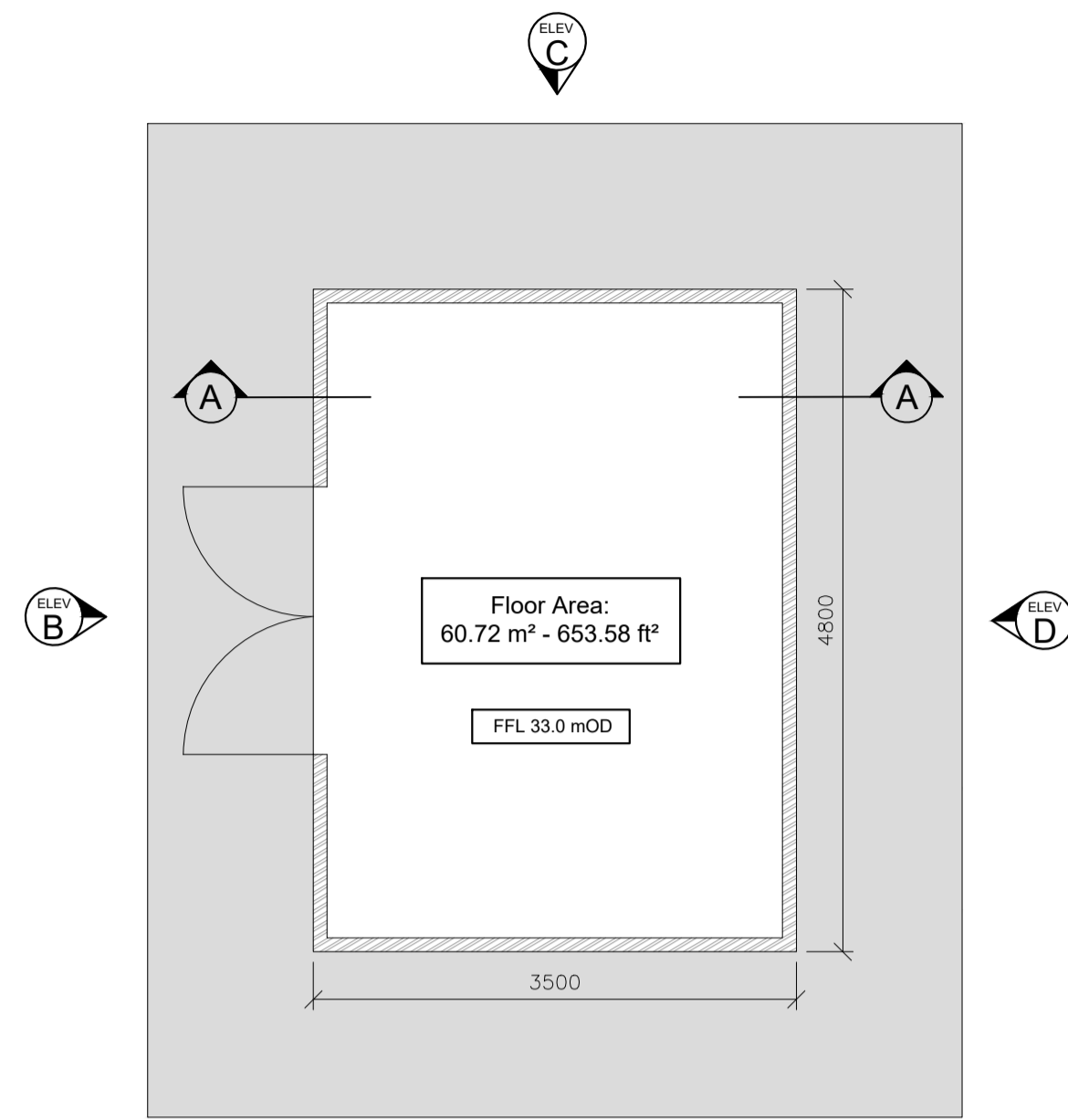
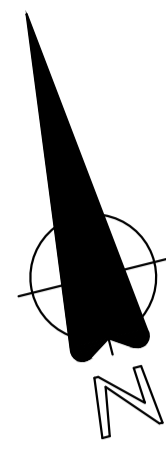
Client
Gas Networks Ireland
GAS NETWORK IRELAND
P.O. BOX 51, Gasworks Road, Cork
Rep of Ireland
T: +353 21 4534000
F: +353 21 4534001

Consultant
Fingleton White
Bridge Street Centre
Portlaoise
Co. Laois
R32 W0CC
Ireland
T: (00353)057 866 5400
www.fingleton.ie

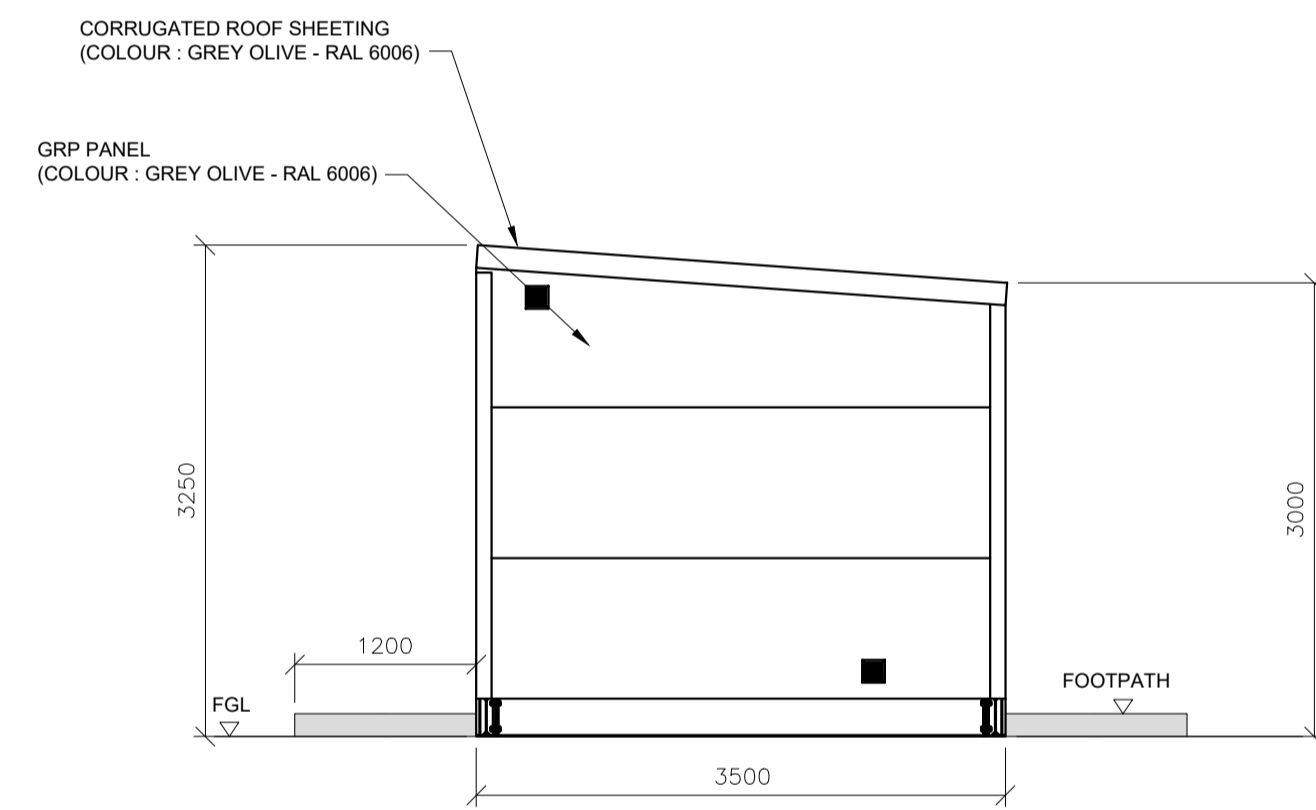
Project
SHANNON TECHNOLOGY AND ENERGY PARK (STEP)

Title
**REGULATOR BUILDING
PLAN, ELEVATIONS & SECTION**

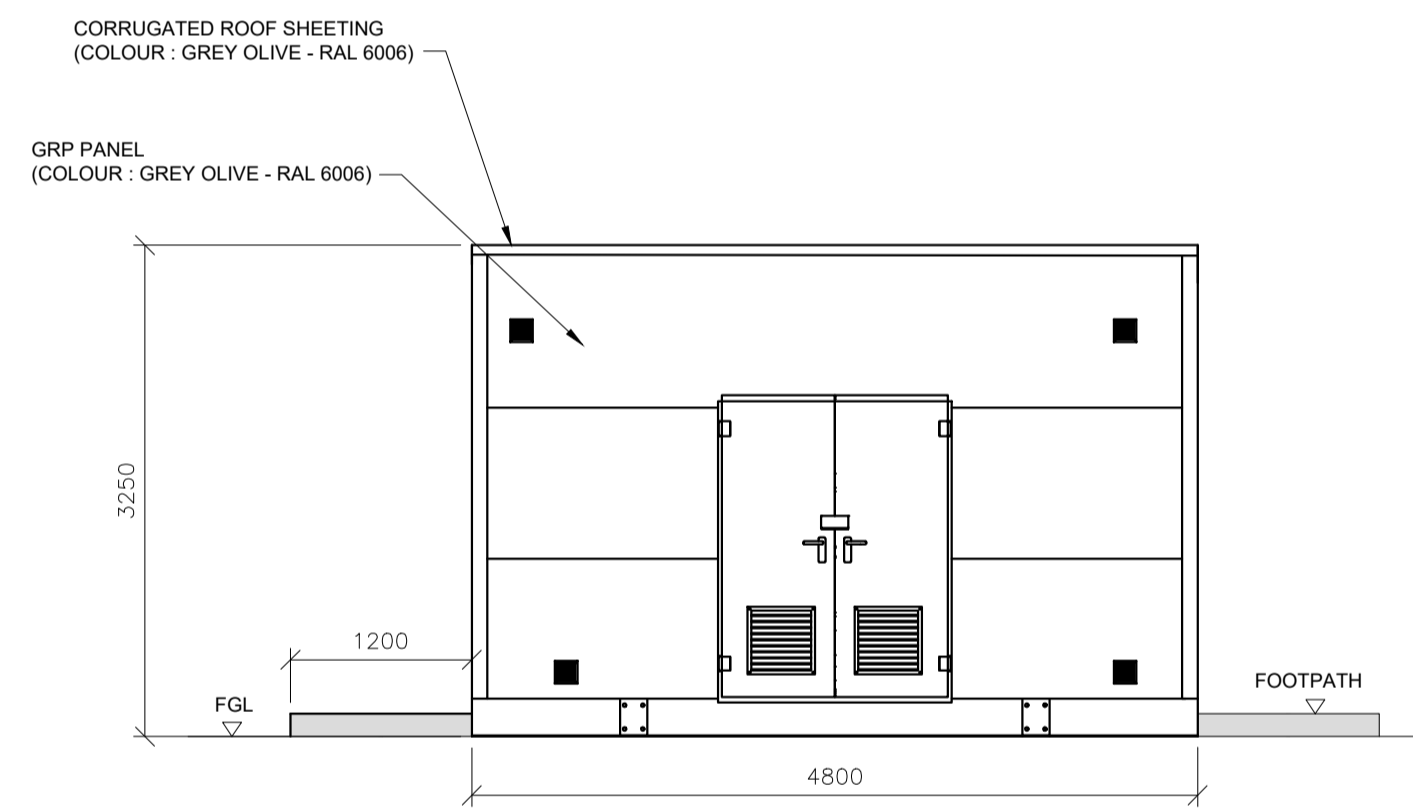
Drawn M.ABOUHJAR	Scale 1:100/A1	Drawing Number 1227-02-DG-0015	Rev. 2
Checked M.CONROY	Date 24/03/21		
Appr'd B.FINGLETON	Status ISSUED		



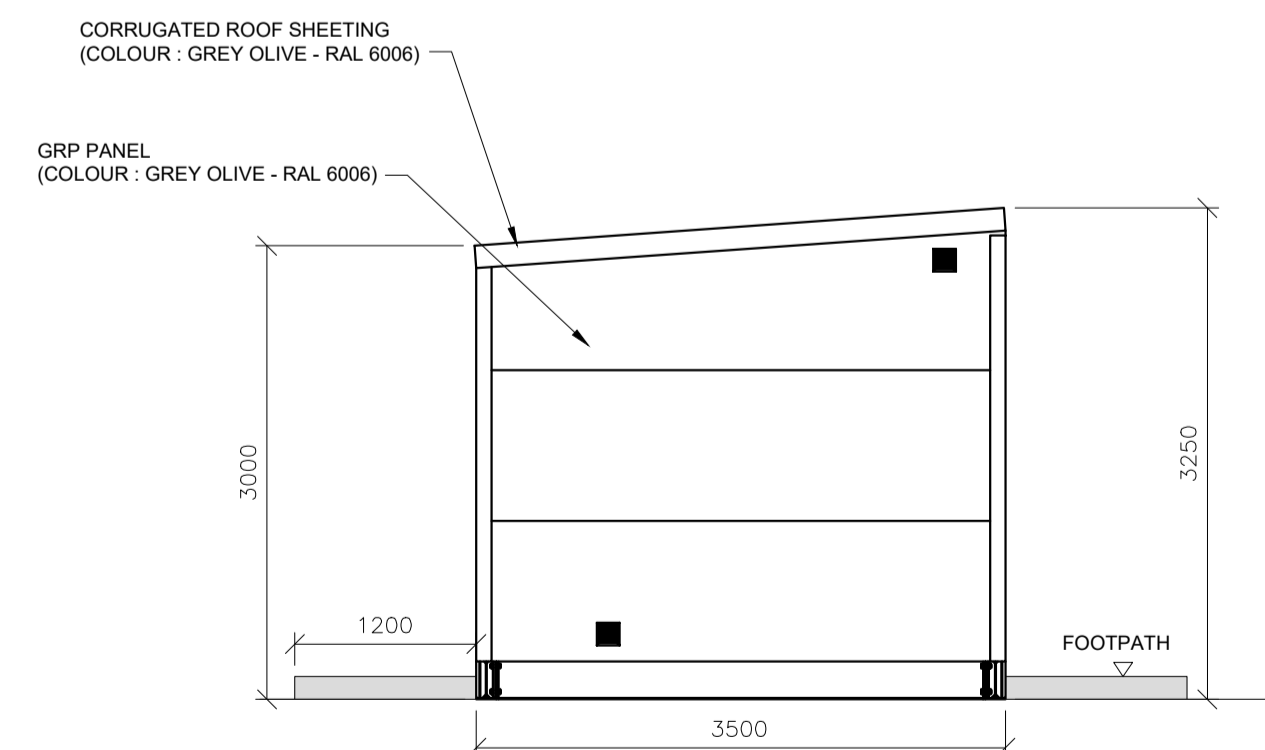
PLAN VIEW
SCALE: 1:50



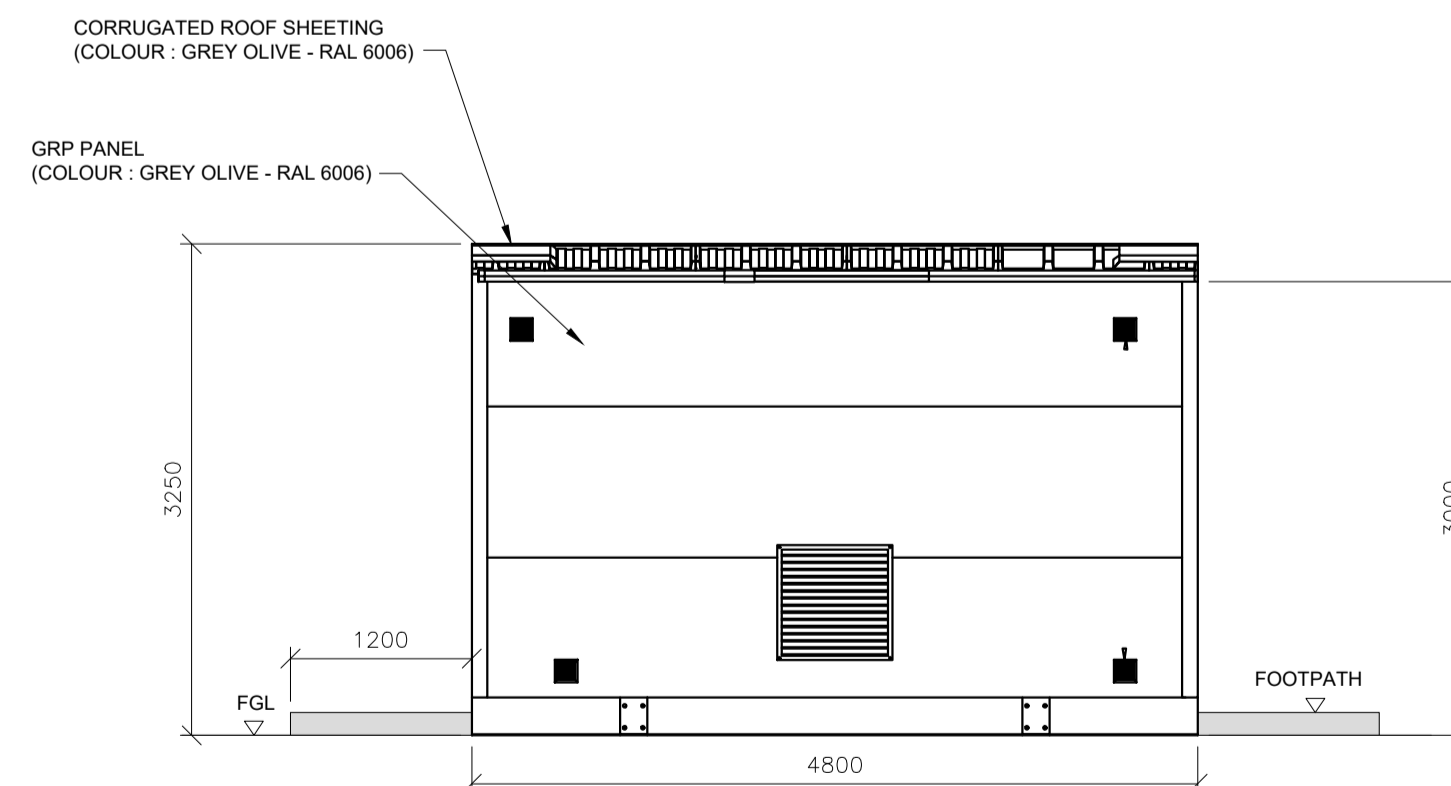
ELEVATION VIEW 'A'
SCALE: 1:50



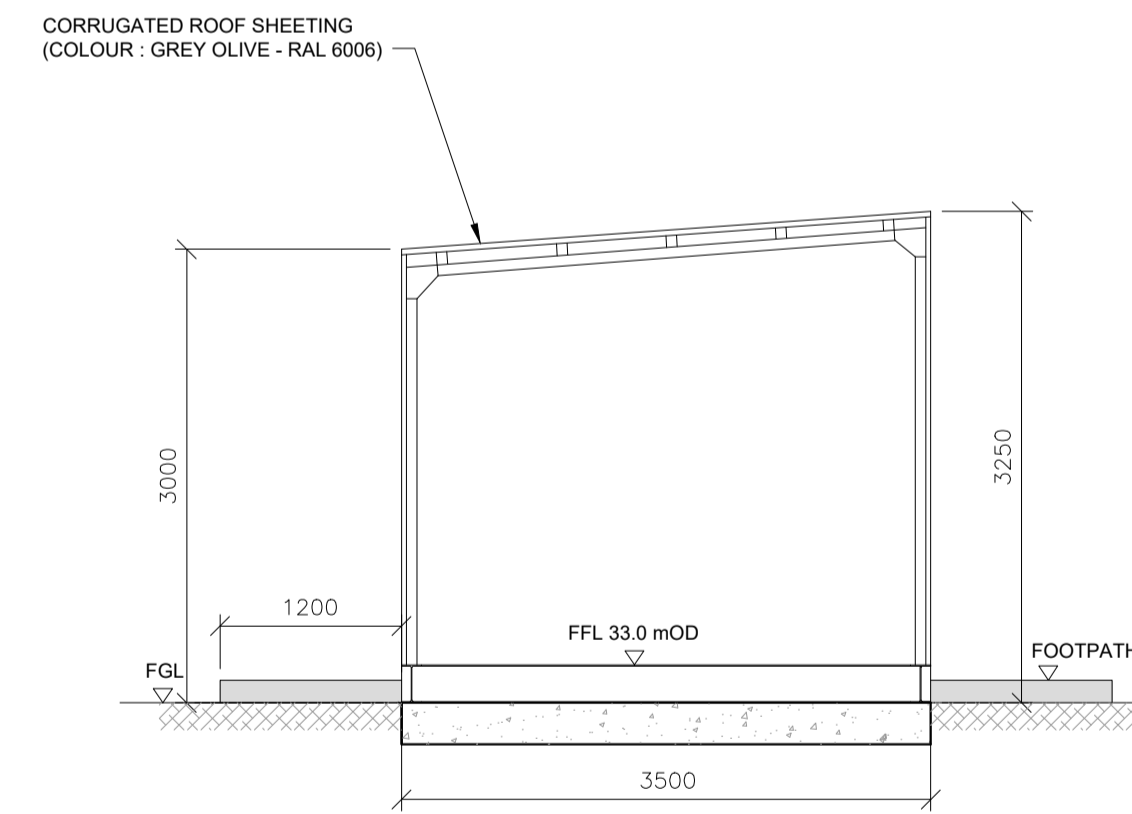
ELEVATION VIEW 'B'
SCALE: 1:50



ELEVATION VIEW 'C'
SCALE: 1:50



ELEVATION VIEW 'D'
SCALE: 1:50



SECTION A-A

NOTES

ISSUE FOR PLANNING

Applicant

Shannon LNG Limited

REV.	DATE	REVISION	BY	CHKD.	APPR.
2	11/08/21	ISSUE FOR PLANNING	RMD	MC	BF
1	24/03/21	ISSUE FOR PLANNING	MAH	MC	BF
0	02/10/20	CONCEPTUAL ISSUE	MAH	MC	BF

Client

Gas Networks Ireland
P.O. BOX 51, Gasworks Road, Cork
Rep. of Ireland
T : +353 21 4534000
F : +353 21 4534001

Consultant

Fingleton White
Bridge Street Centre
Portlaoise
Co. Laois
R32 W0CC
Ireland
T: (00353)057 866 5400
www.fingleton.ie

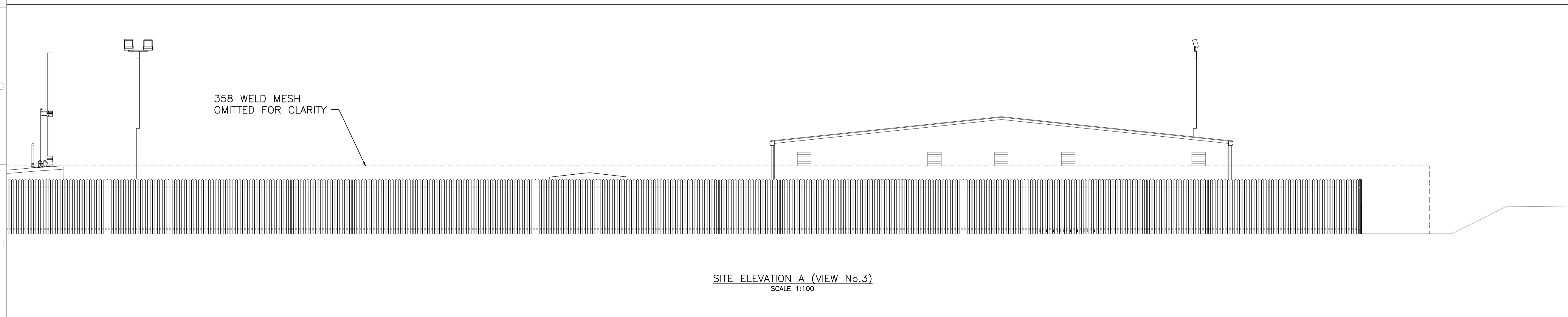
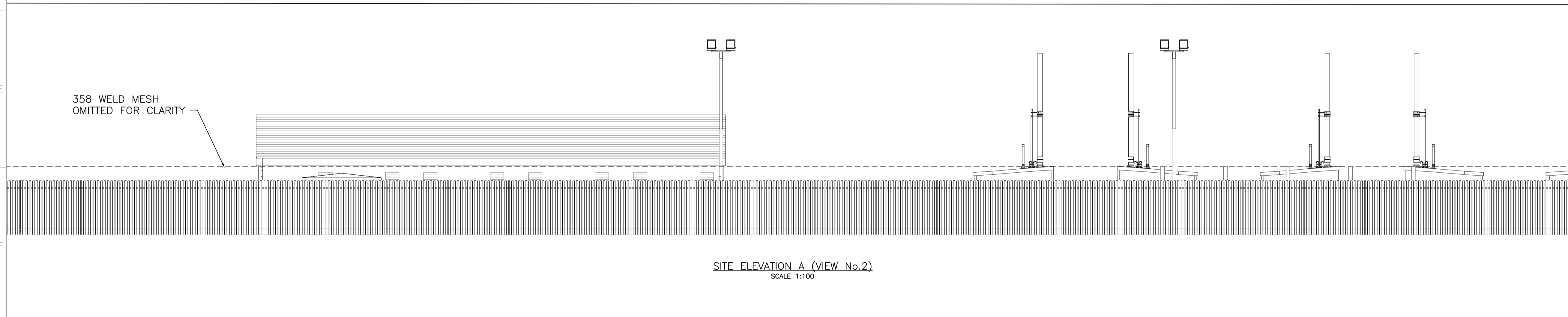
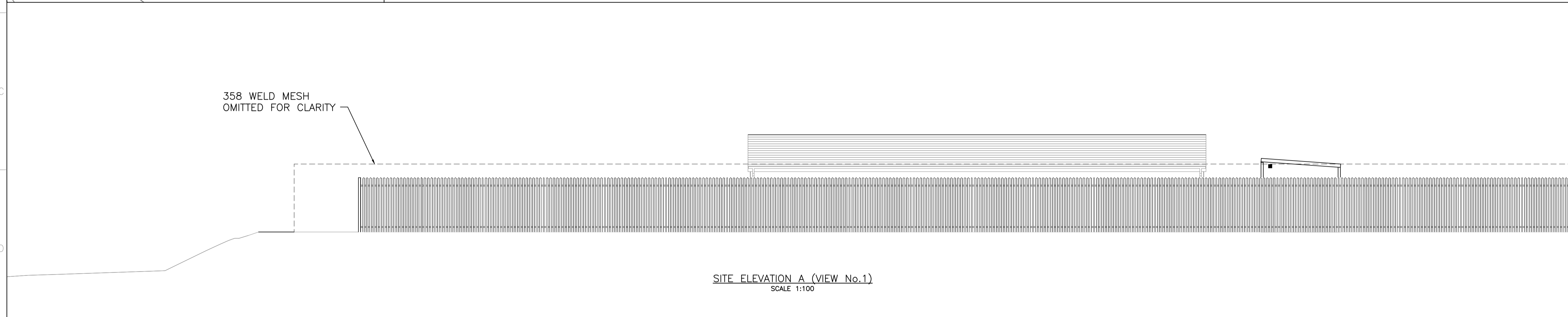
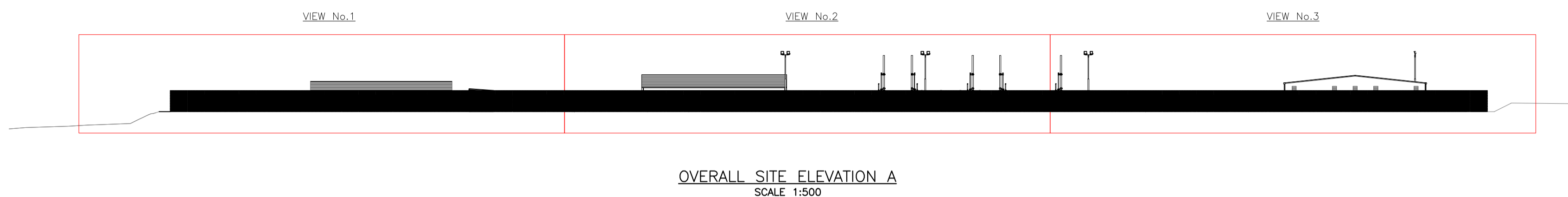
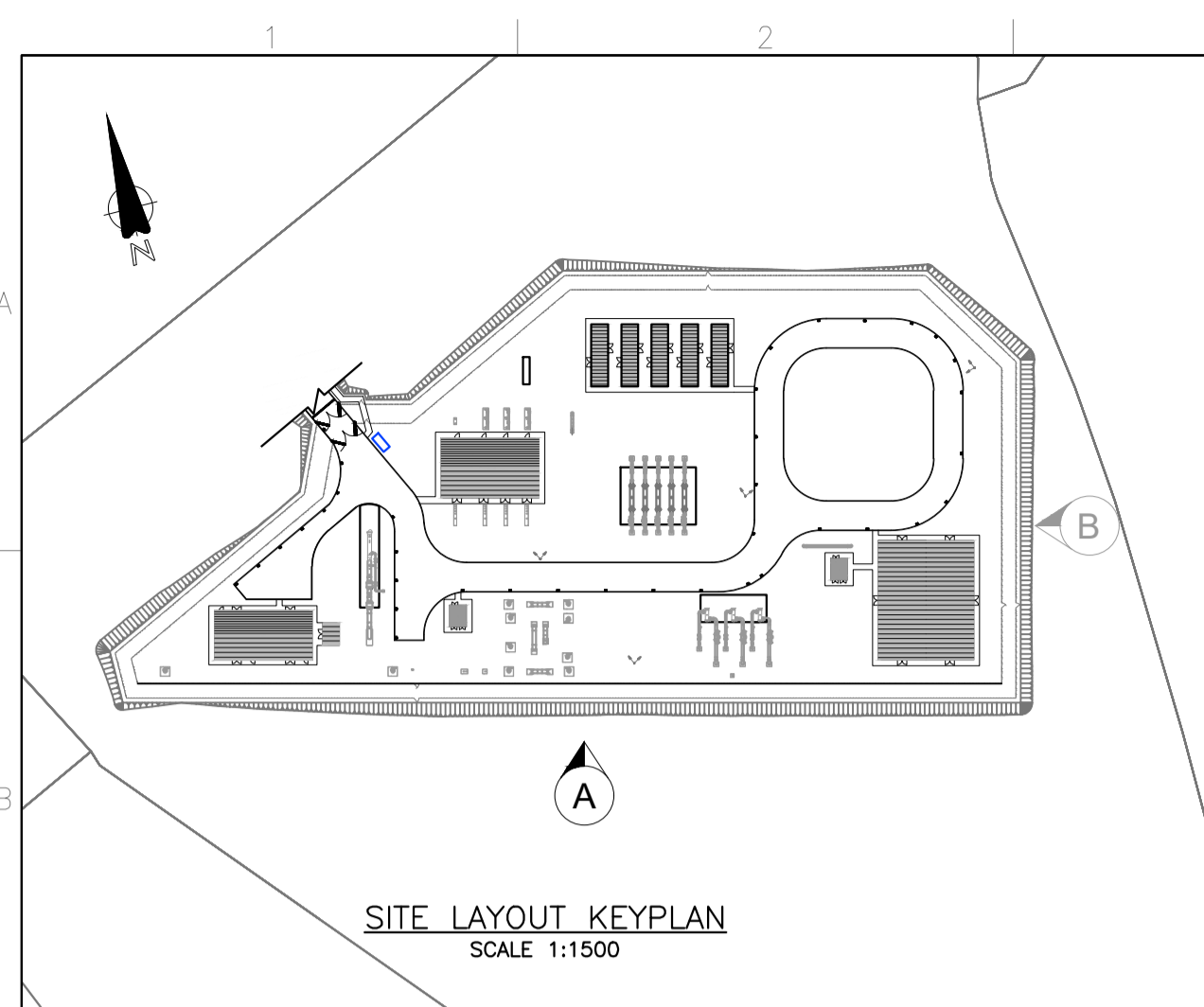
Project

SHANNON TECHNOLOGY AND ENERGY PARK (STEP)

Title

**GENERATOR KIOSK DETAILS
PLAN, ELEVATIONS & SECTION**

Drawn	Scale	Drawing Number	Rev.
M.ABOUHJAR	1:50/A1	1227-02-DG-0016	2
Checked	Date	Status	
M.CONROY	24/03/21	ISSUED	
Approved			
B.FINGLETON			



NOTES

ISSUE FOR PLANNING

Applicant
Shannon LNG Limited

REV.	DATE	REVISION	BY	CHKD.	APPR.
2	29/05/23	ISSUE FOR PLANNING	JD	VOH	BF
1	24/03/21	ISSUE FOR PLANNING	MAH	MC	BF
0	02/10/20	CONCEPTUAL ISSUE	MAH	MC	BF

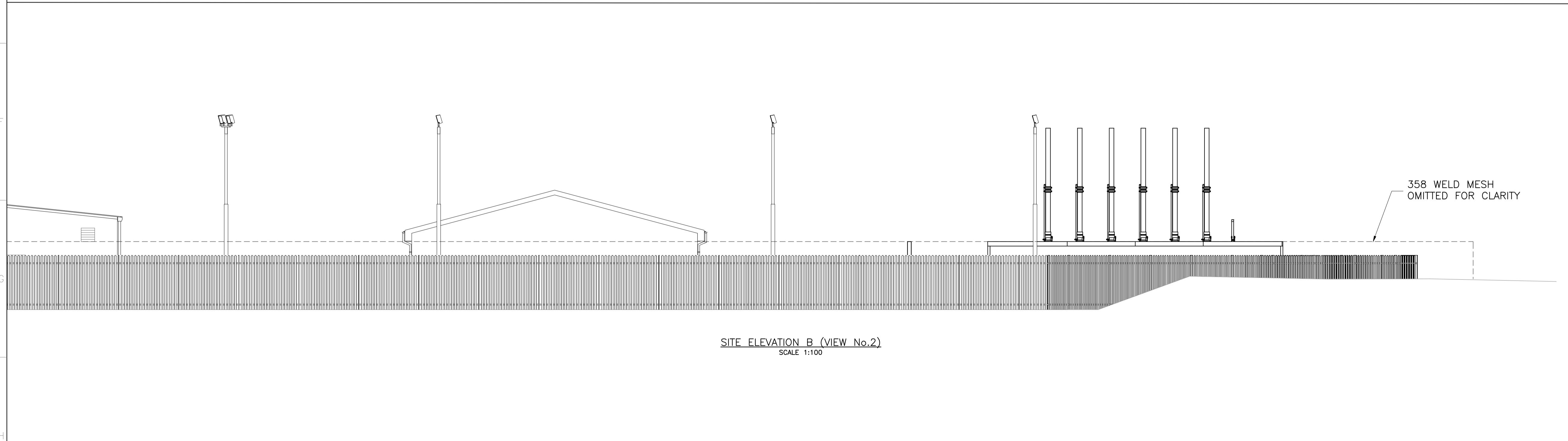
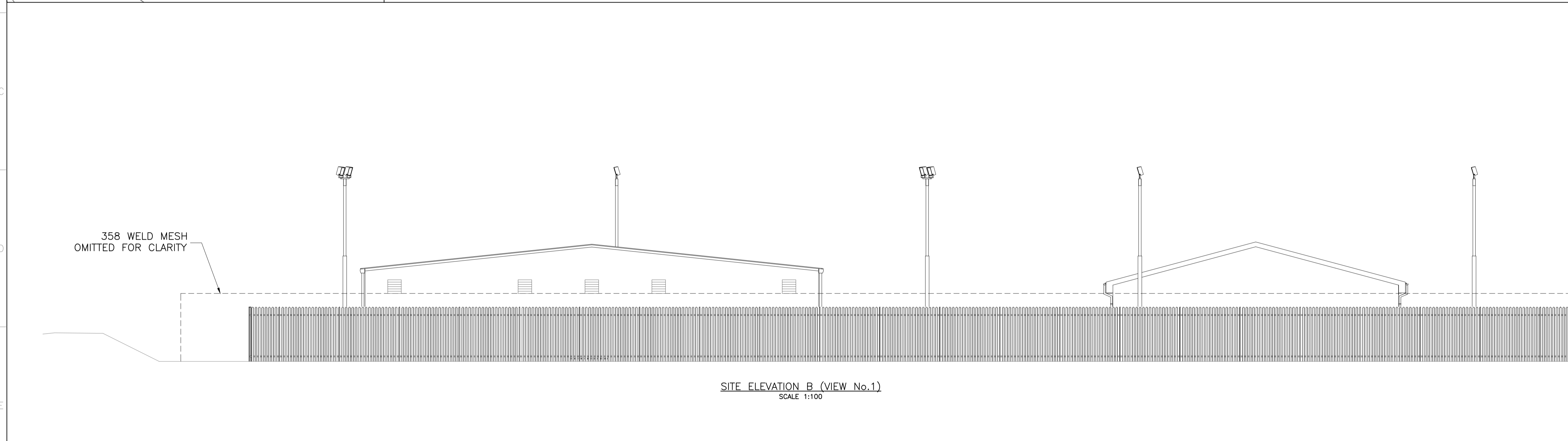
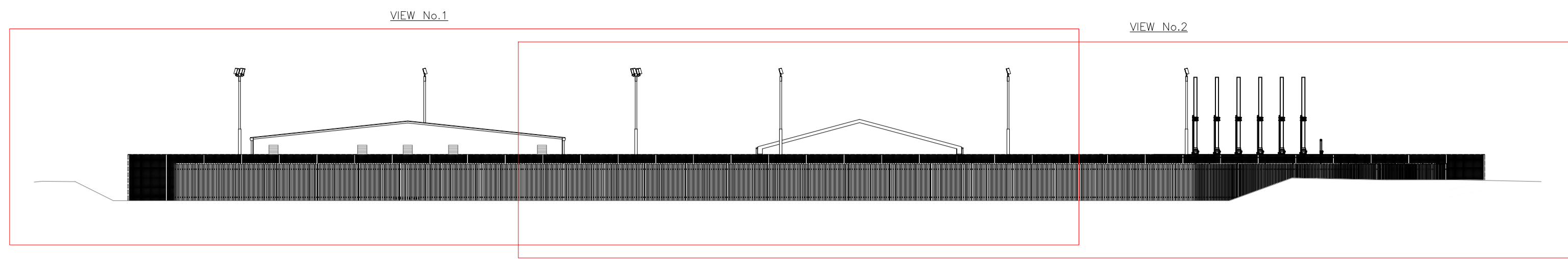
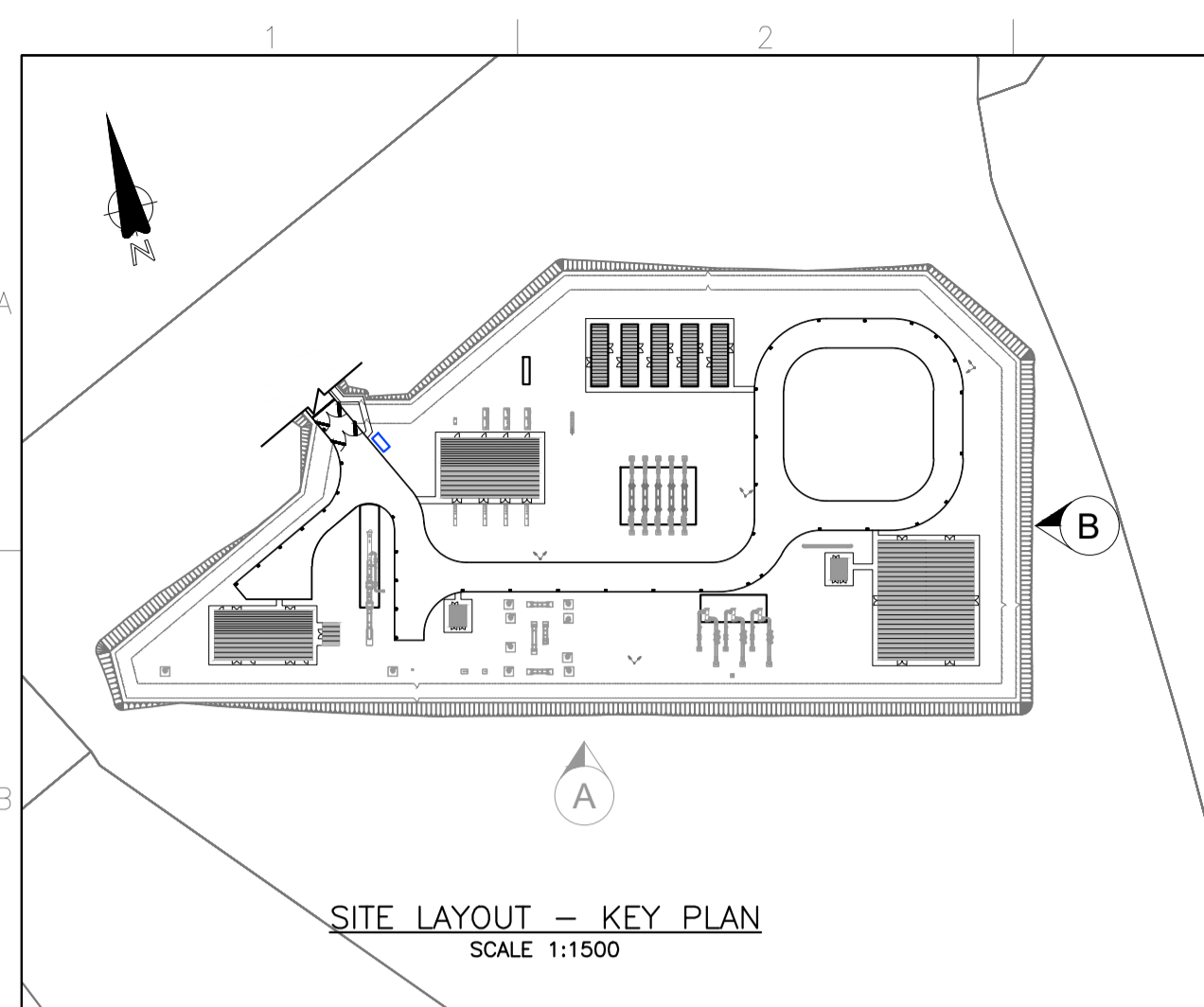
Client
Gas Networks Ireland
GAS NETWORK IRELAND
P.O. BOX 51, Gasworks Road, Cork
Rep of Ireland
T: +353 21 4534000
F: +353 21 4534001

Consultant
Fingleton White
Bridge Street Centre
Portlaoise
Co. Laois
R32 W0CC
Ireland
T:(00353)057 866 5400
www.fingleton.ie

Project
SHANNON TECHNOLOGY AND ENERGY PARK (STEP)

Title
SITE ELEVATION A - SOUTH ELEVATION

Drawn	Scale	Drawing Number	Rev.
J.DELANEY	AS SHOWN/A1	1227-02-DG-0021	2
Chkd: V.O'HARA	Date: 29/05/2023		
Apprd: B.FINGLETON	Status: ISSUED		



NOTES

ISSUE FOR PLANNING

Applicant
Shannon LNG Limited

REV.	DATE	REVISION	BY	CHKD.	APPR.
2	29/05/23	ISSUE FOR PLANNING	JD	VOH	BF
1	24/03/21	ISSUE FOR PLANNING	MAH	MC	BF
0	02/10/20	CONCEPTUAL ISSUE	MAH	MC	BF

Client
Gas Networks Ireland
GAS NETWORK IRELAND
P.O. BOX 51, Gasworks Road, Cork
Rep of Ireland
T: +353 21 4534000
F: +353 21 4534001

Consultant
Fingleton White
Bridge Street Centre
Portlaoise
Co. Laois
R32 W0CC
Ireland
T: (00353)0157 866 5400
www.fingleton.ie

Project
SHANNON TECHNOLOGY AND ENERGY PARK (STEP)

Title
SITE ELEVATION B - EAST ELEVATION

Drawn	Scale	Drawing Number	Rev.
J. DELANEY	AS SHOWN/A1	1227-02-DG-0022	2
Checked	Date		
V.O'HARA	29/05/2023		
Appr'd	Status		
B. FINGLETON	ISSUED		